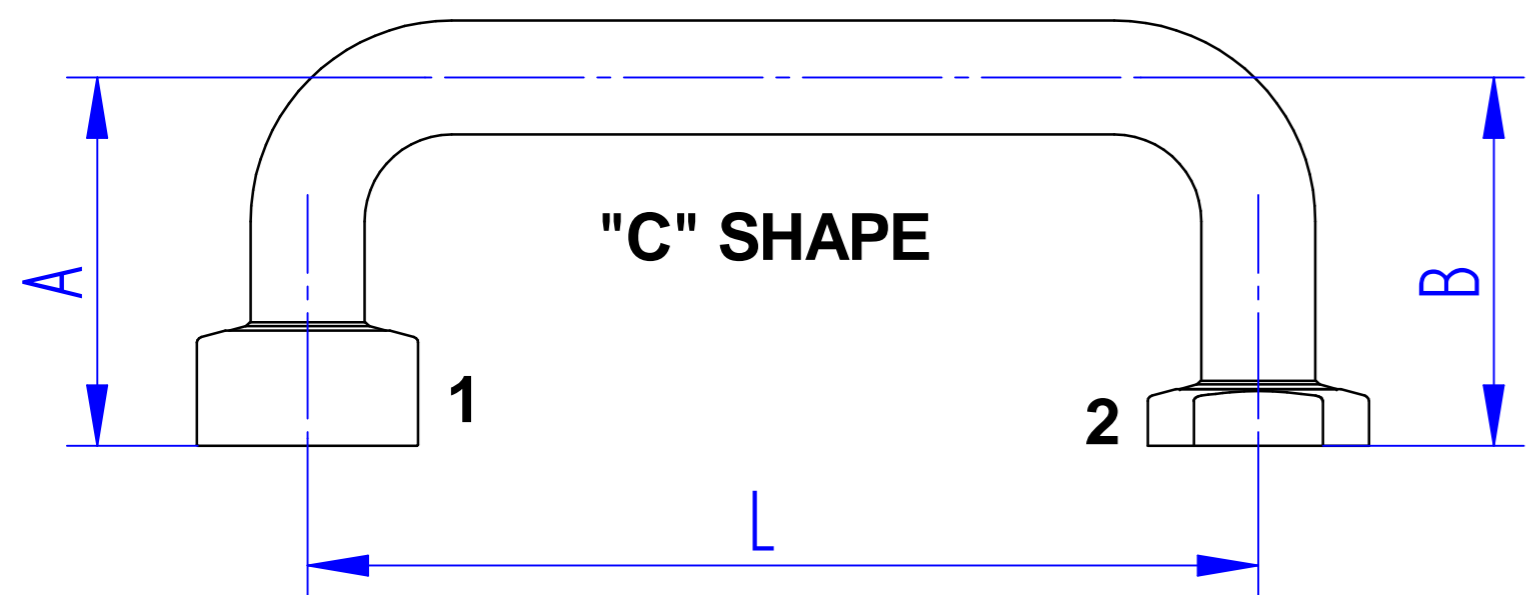
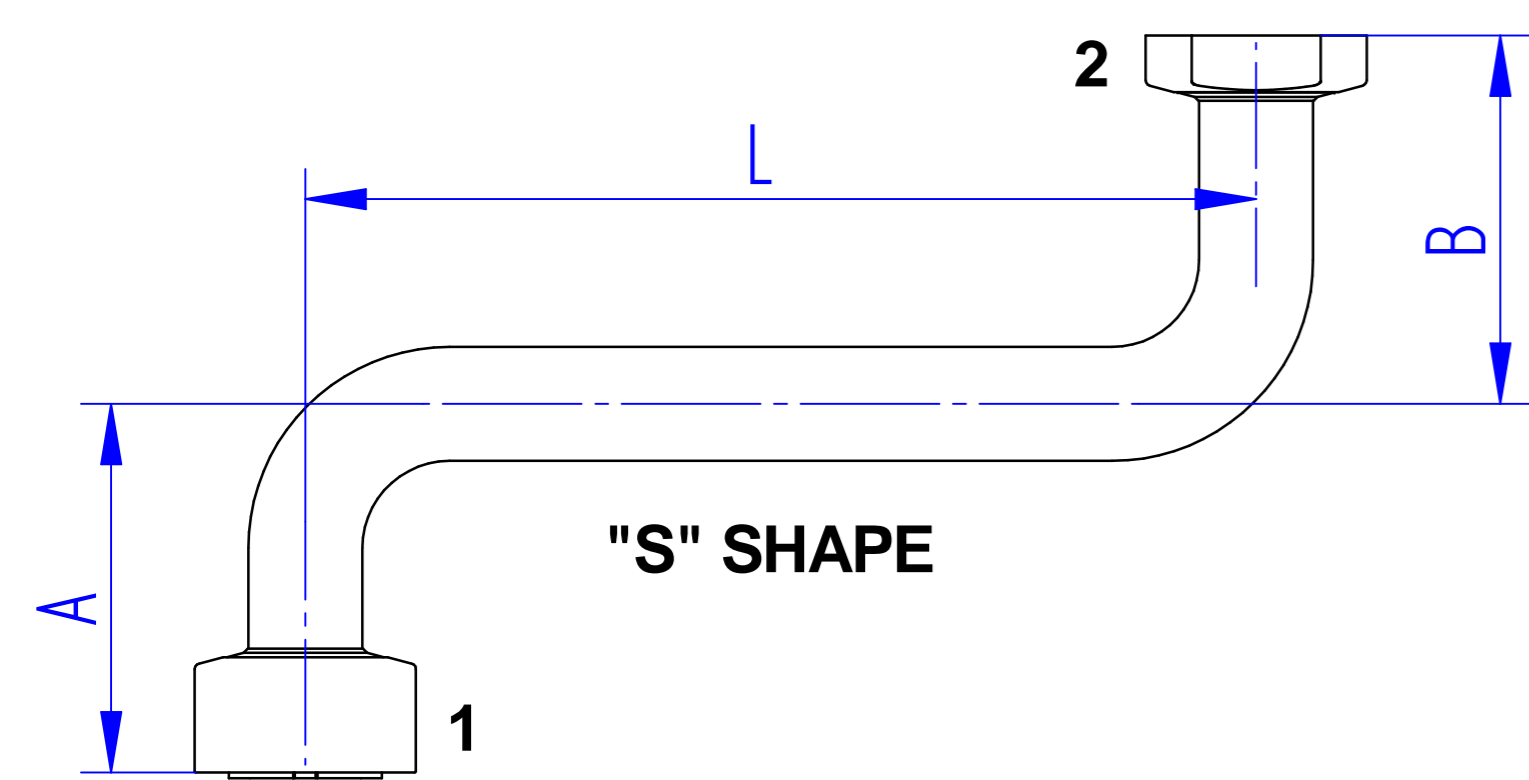


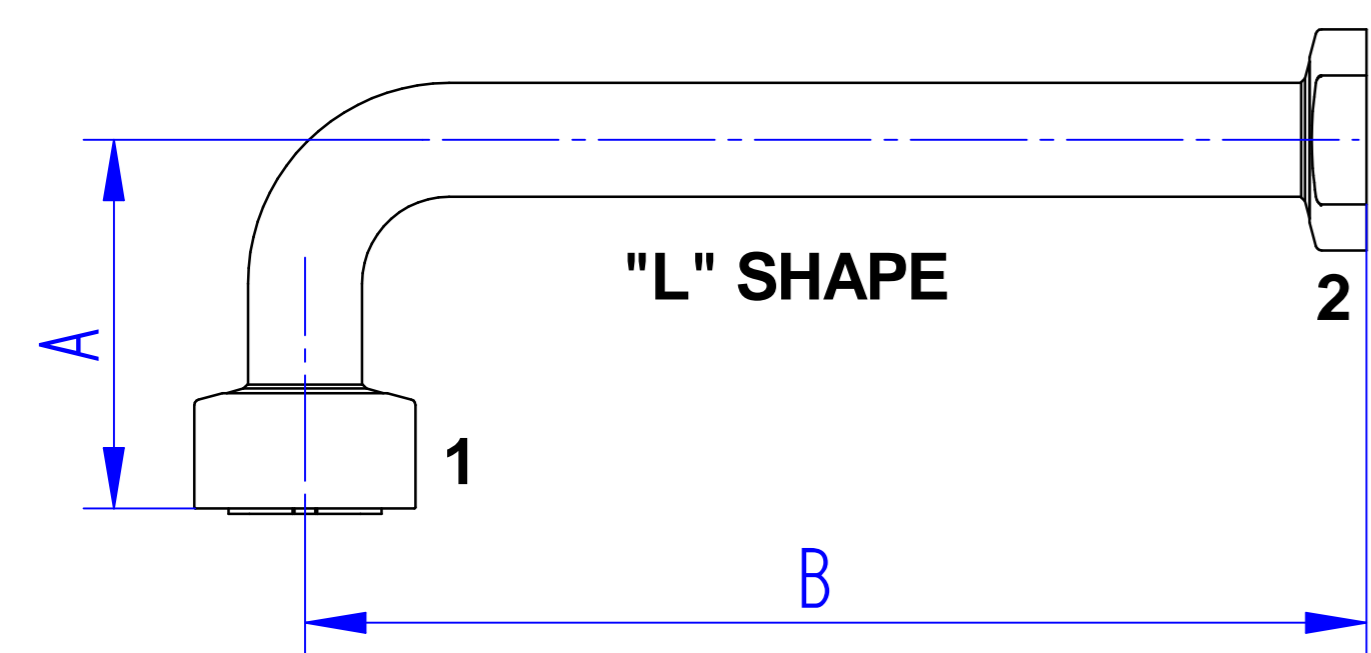
TOLLERANZE IN GRADO MEDIO COME DA NORMA: ISO2768-m



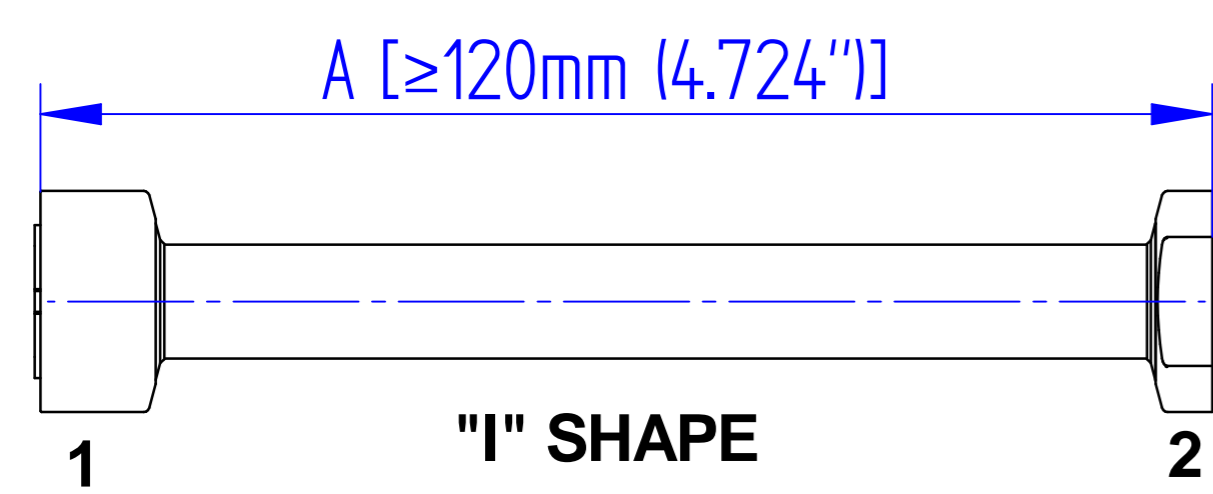
"C" SHAPE



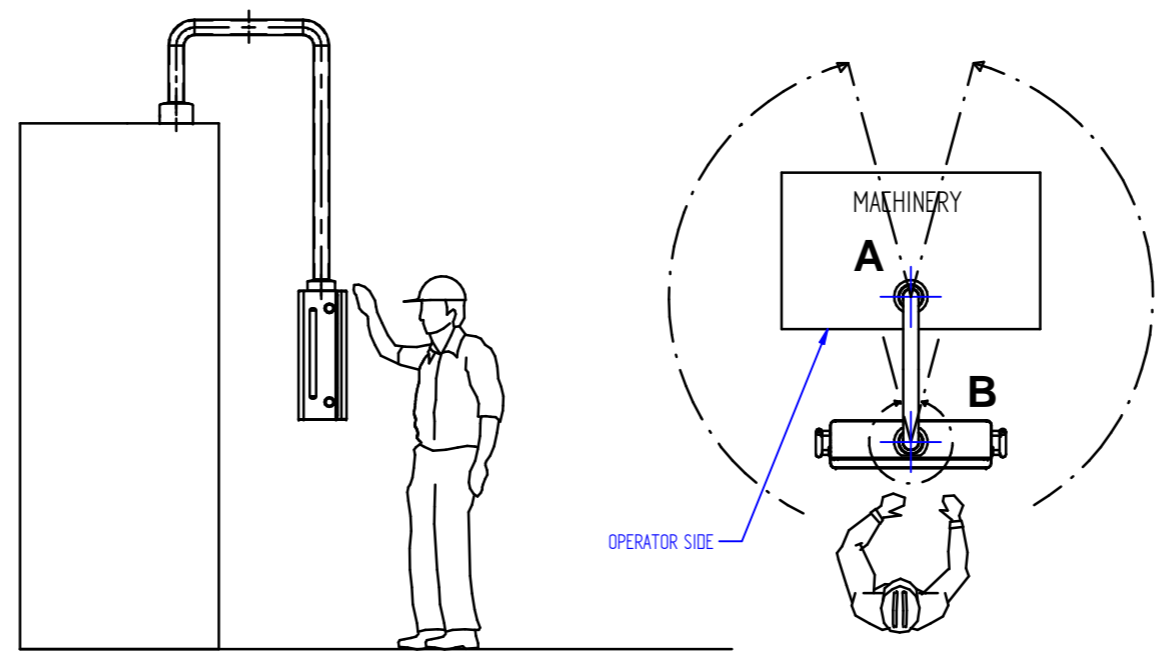
"S" SHAPE



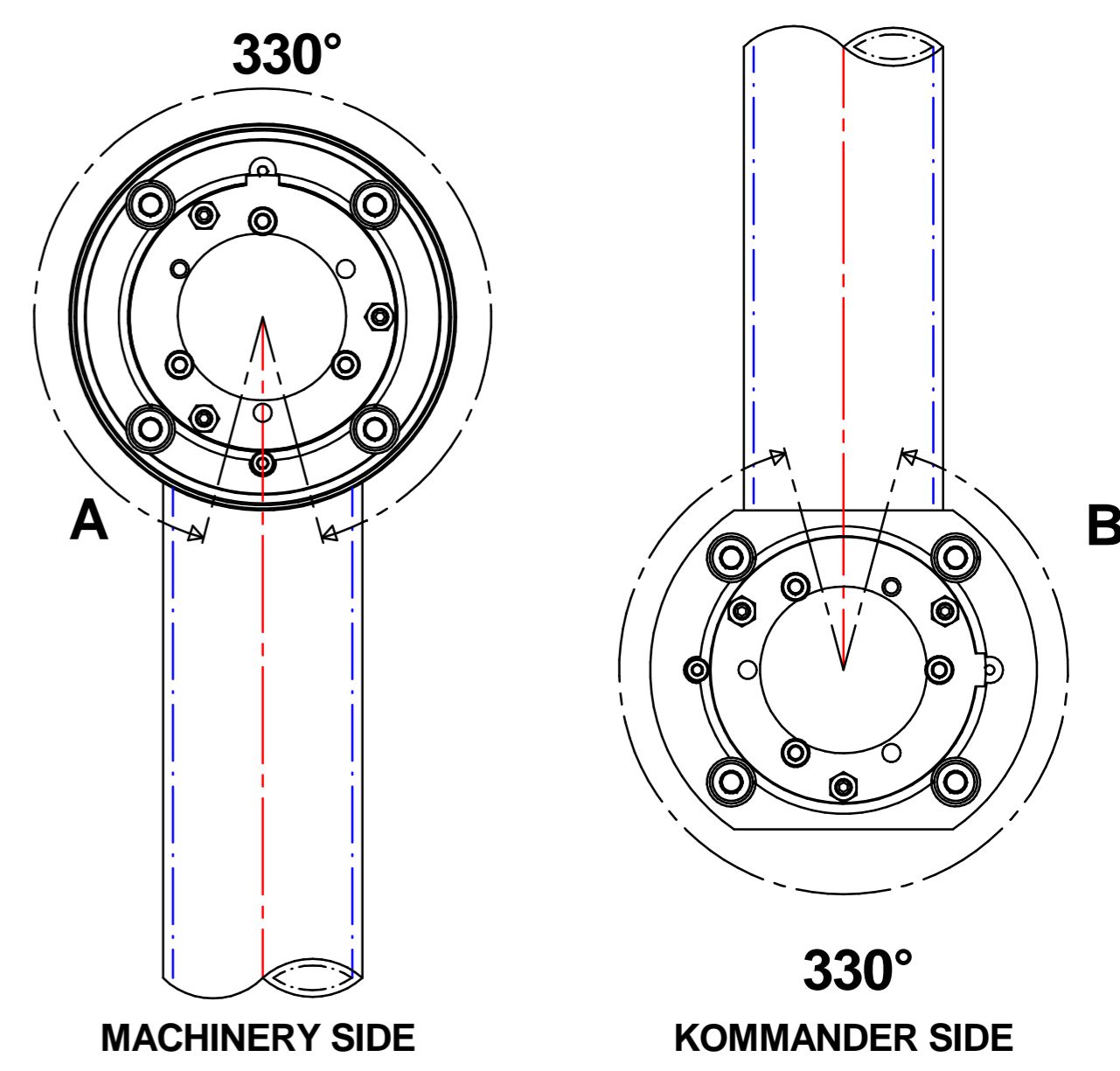
"L" SHAPE



"I" SHAPE



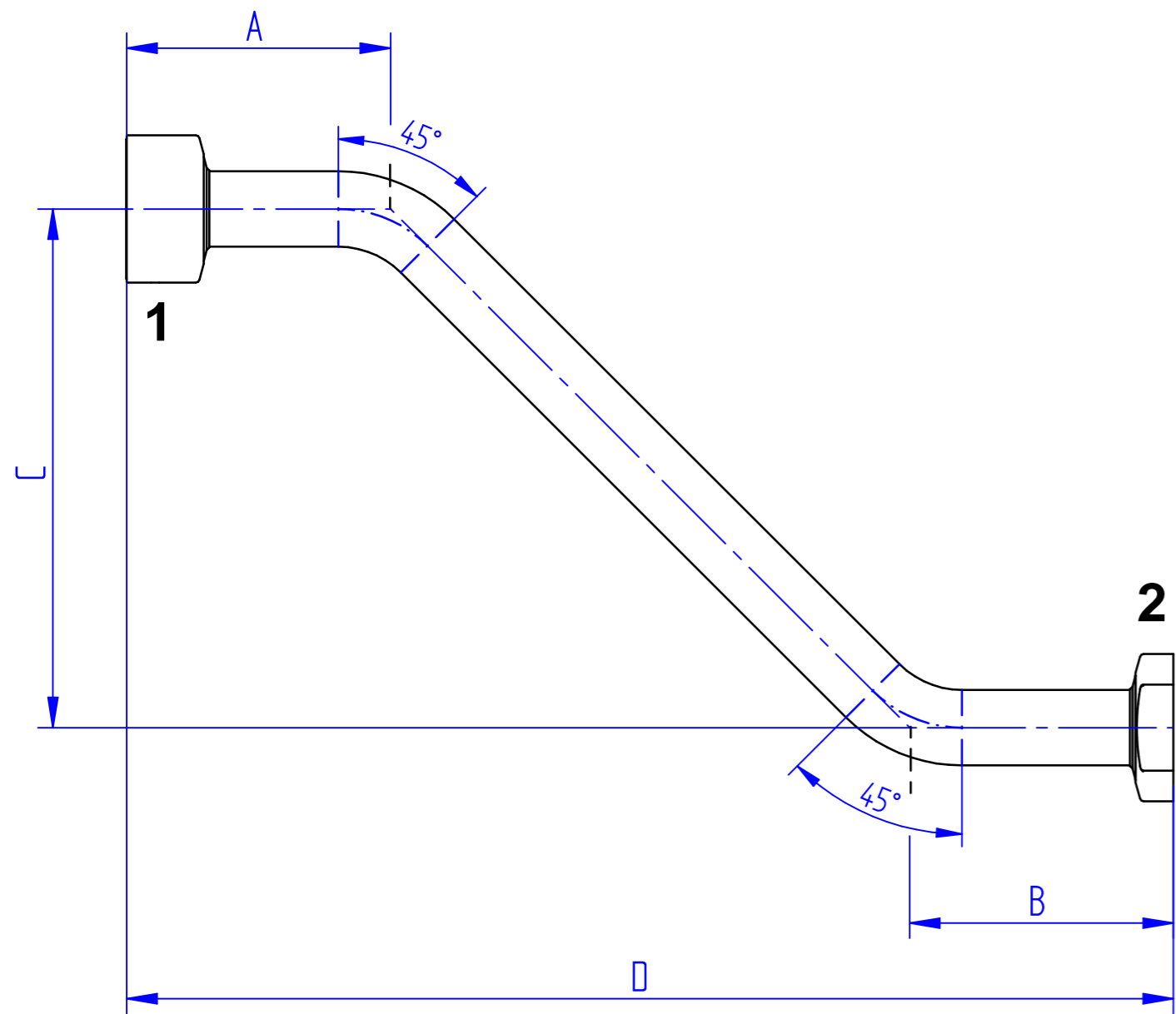
LOWER VIEW



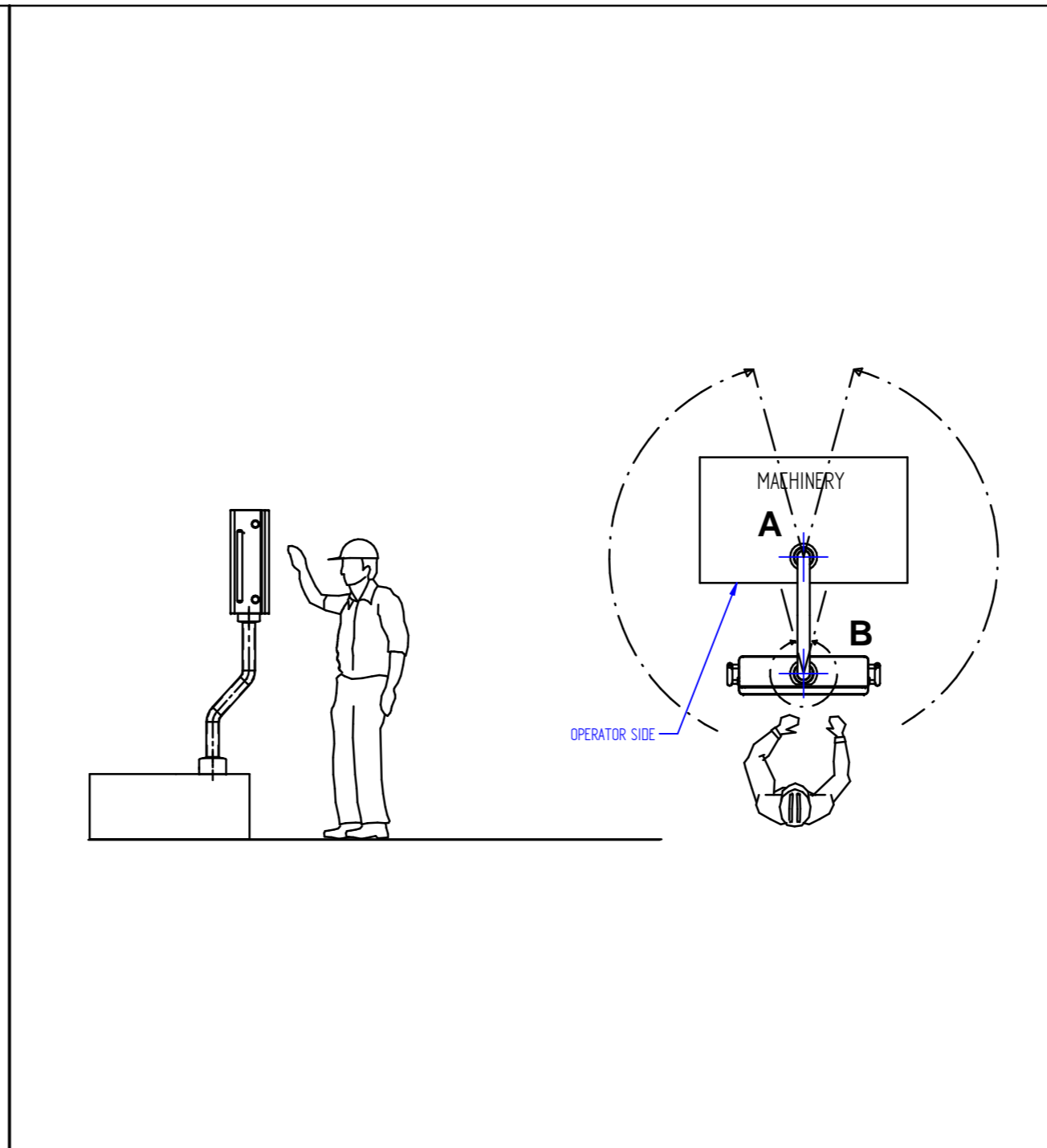
Y	ITEM CODE
	4 PIPE DIAMETER Ø 48,3 (Ø1,902)
	6 PIPE DIAMETER Ø 60,3 (Ø2,374)
	C PIPE SHAPE
	S PIPE SHAPE
	L PIPE SHAPE
	I PIPE SHAPE
 SIDE "A" LENGHT - MIN. 200 (7,874) x Ø48 (1,89) - MIN. 250 (9,843) x Ø60 (2,362)
 SIDE "L" LENGHT - MIN. 400 (15,75)
 SIDE "B" LENGHT - MIN. 200 (7,874) x Ø48 (1,89) - MIN. 250 (9,843) x Ø60 (2,362)
	M MACHINERY SIDE "1" JOINT TYPE - ROTATING BIG
	F MACHINERY SIDE "1" JOINT TYPE - FIXED CHAMFERED
	X NO "SIDE 1" JOINT
	S KOMMANDER SIDE "2" JOINT TYPE - ROTATING CHAMFERED
	F KOMMANDER SIDE "2" JOINT TYPE - FIXED CHAMFERED
	X NO "SIDE 2" JOINT
	H REINFORCEMENT ON MACHINERY SIDE

EX: Y 4 C 0200 - 0400 - 0200 M S H

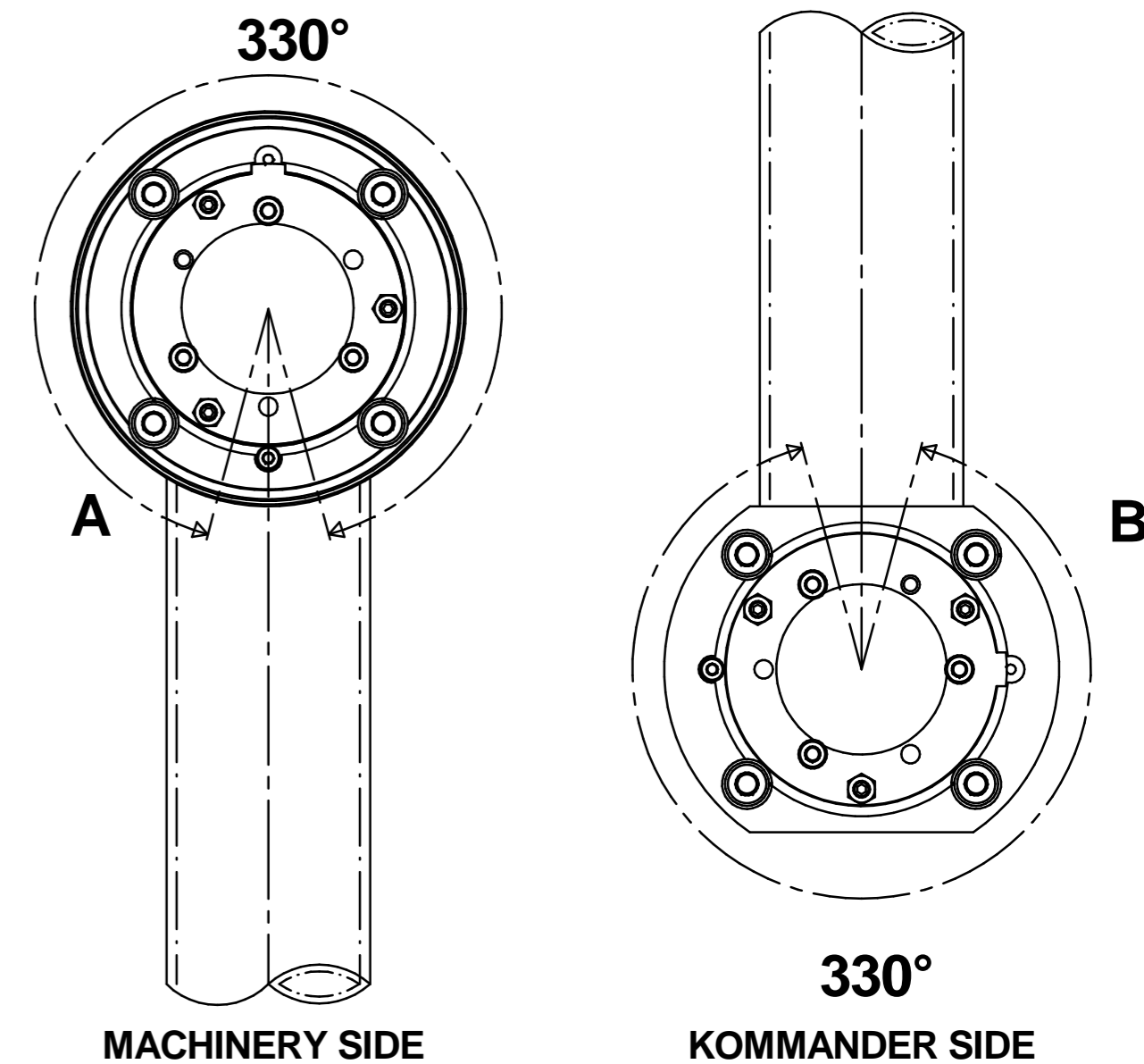
TOLLERANZE IN GRADO MEDIO COME DA NORMA: ISO2768-m



"K" SHAPE



LOWER VIEW



K	ITEM CODE K
4	PIPE DIAMETER Ø 48,3
6	PIPE DIAMETER Ø 60,3
....	SIDE "A" LENGHT - MIN. 120 x Ø48 - MIN. 130 x Ø60
M	MACHINERY SIDE "1" JOINT TYPE - ROTATING BIG
F	MACHINERY SIDE "1" JOINT TYPE - FIXED CHAMFERE
X	NO "SIDE 1" JOINT
....	SIDE "B" LENGHT - MIN. 120 x Ø48 - MIN. 130 x Ø60
S	KOMMANDER SIDE "2" JOINT TYPE - ROTATING BIG
F	KOMMANDER SIDE "2" JOINT TYPE - FIXED CHAMFERED
X	NO "SIDE 2" JOINT
....	SIDE "C" LENGHT
....	SIDE "D" LENGHT - MIN. (C+220)

ES: K 4 250 M 300 S 0400 - 0800