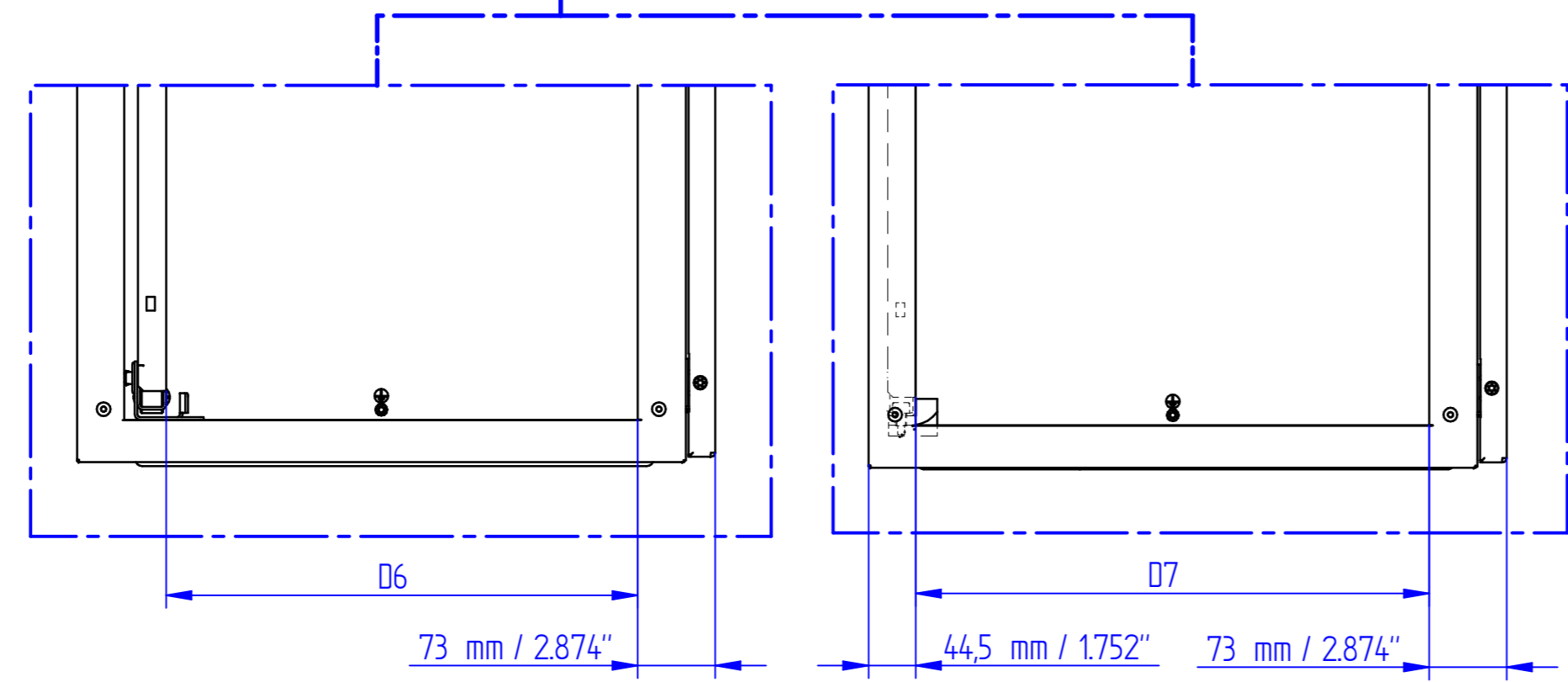
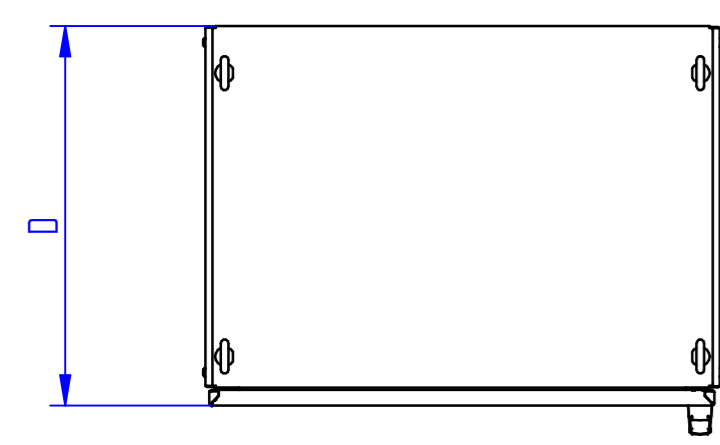
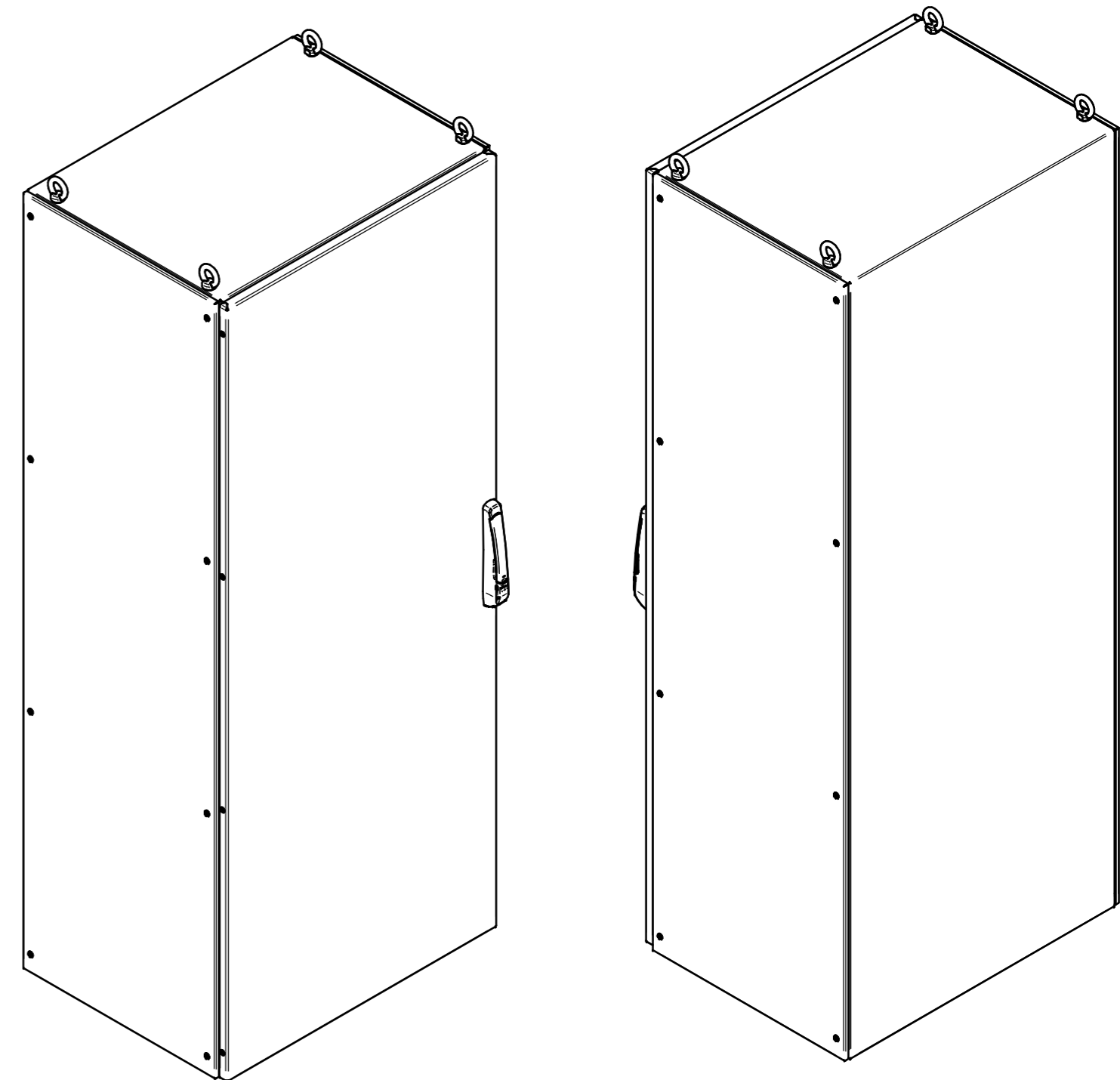
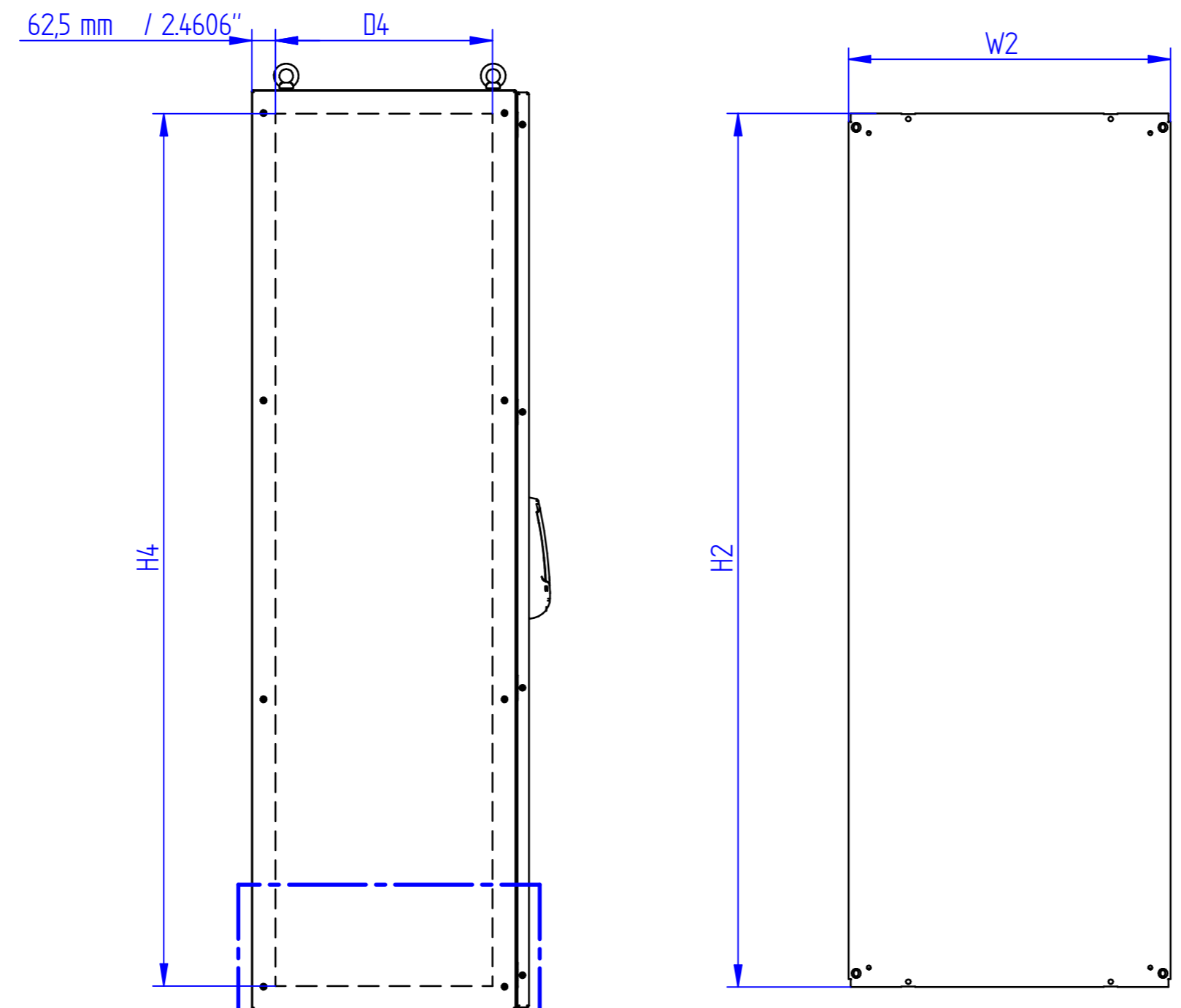
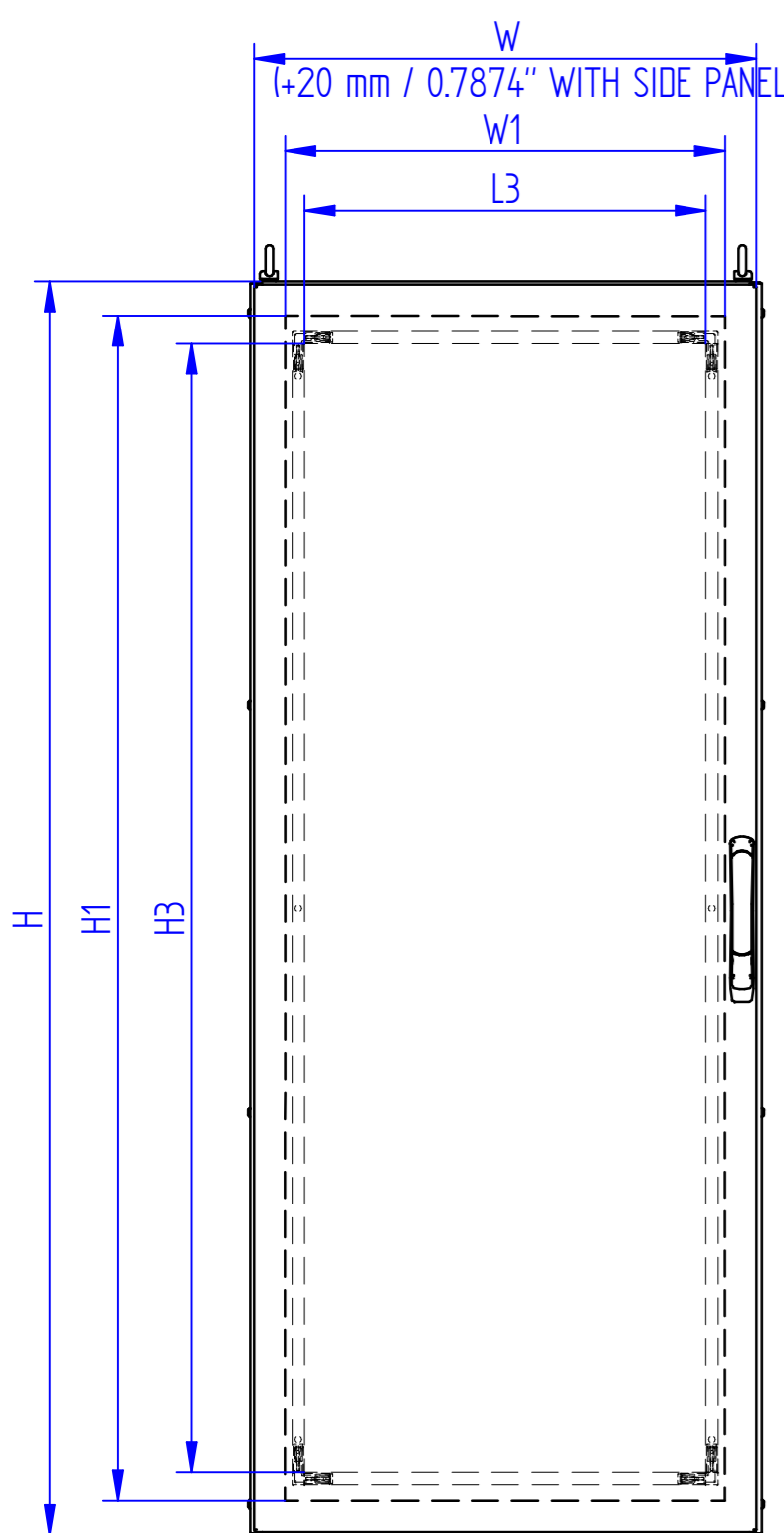


ITEM CODE	NOMINAL DIMENSIONS			ACTUAL DIMENSIONS			USABLE DIMENSIONS OF FRONTAL ENTRY		MOUNTING PLATE		USABLE DIMENSIONS FOR DOOR CUTOUTS		USABLE DIMENSIONS FOR SIDE PANEL CUTOUTS		USABLE DIMENSIONS FOR CABLE ENTRY		FROM SIDE INSERTION PLATE TO UPRIGHT	FROM FRONTAL INSERTION PLATE TO DOOR
	W	H	D	W	H	D	W1	H1	W2	H2	W3	H3	H4	D4	W5	D5	D6	D7
	mm / inch	mm / inch	mm / inch	mm / inch	mm / inch	mm / inch	mm / inch	mm / inch	mm / inch	mm / inch	mm / inch	mm / inch	mm / inch	mm / inch	mm / inch	mm / inch	mm / inch	mm / inch
SPD6018040_N	600 / 23,62	1800 / 70,87	400 / 15,748	605 / 23,82	1800 / 70,87	403 / 15,866	504 / 19,843	1700 / 66,93	500 / 19,685	1700 / 66,93	440 / 17,323	1600 / 62,99	1685 / 66,34	250 / 9,843	366 / 14,41	210 / 8,268	245 / 9,646	285 / 11,22
SPD6018050_N	600 / 23,62	1800 / 70,87	500 / 19,685	605 / 23,82	1800 / 70,87	503 / 19,803	504 / 19,843	1700 / 66,93	500 / 19,685	1700 / 66,93	440 / 17,323	1600 / 62,99	1685 / 66,34	350 / 13,78	366 / 14,41	310 / 12,205	345 / 13,583	385 / 15,157
SPD6018060_N	600 / 23,62	1800 / 70,87	600 / 23,62	605 / 23,82	1800 / 70,87	603 / 23,74	504 / 19,843	1700 / 66,93	500 / 19,685	1700 / 66,93	440 / 17,323	1600 / 62,99	1685 / 66,34	450 / 17,717	366 / 14,41	410 / 16,142	445 / 17,52	485 / 19,094
SPD6020050_N	600 / 23,62	2000 / 78,74	500 / 19,685	605 / 23,82	2000 / 78,74	503 / 19,803	504 / 19,843	1900 / 74,8	500 / 19,685	1900 / 74,8	440 / 17,323	1800 / 70,87	1885 / 74,21	350 / 13,78	366 / 14,41	310 / 12,205	345 / 13,583	385 / 15,157
SPD6020060_N	600 / 23,62	2000 / 78,74	600 / 23,62	605 / 23,82	2000 / 78,74	603 / 23,74	504 / 19,843	1900 / 74,8	500 / 19,685	1900 / 74,8	440 / 17,323	1800 / 70,87	1885 / 74,21	450 / 17,717	366 / 14,41	410 / 16,142	445 / 17,52	485 / 19,094
SPD8018040_N	800 / 31,496	1800 / 70,87	400 / 15,748	805 / 31,69	1800 / 70,87	403 / 15,866	704 / 27,717	1700 / 66,93	700 / 27,56	1700 / 66,93	640 / 25,197	1600 / 62,99	1685 / 66,34	250 / 9,843	566 / 22,283	210 / 8,268	245 / 9,646	285 / 11,22
SPD8018050_N	800 / 31,496	1800 / 70,87	500 / 19,685	805 / 31,69	1800 / 70,87	503 / 19,803	704 / 27,717	1700 / 66,93	700 / 27,56	1700 / 66,93	640 / 25,197	1600 / 62,99	1685 / 66,34	350 / 13,78	566 / 22,283	310 / 12,205	345 / 13,583	385 / 15,157
SPD8018060_N	800 / 31,496	1800 / 70,87	600 / 23,62	805 / 31,69	1800 / 70,87	603 / 23,74	704 / 27,717	1700 / 66,93	700 / 27,56	1700 / 66,93	640 / 25,197	1600 / 62,99	1685 / 66,34	450 / 17,717	566 / 22,283	410 / 16,142	445 / 17,52	485 / 19,094
SPD8020050_N	800 / 31,496	2000 / 78,74	500 / 19,685	805 / 31,69	2000 / 78,74	503 / 19,803	704 / 27,717	1900 / 74,8	700 / 27,56	1900 / 74,8	640 / 25,197	1800 / 70,87	1885 / 74,21	350 / 13,78	566 / 22,283	310 / 12,205	345 / 13,583	385 / 15,157
SPD8020060_N	800 / 31,496	2000 / 78,74	600 / 23,62	805 / 31,69	2000 / 78,74	603 / 23,74	704 / 27,717	1900 / 74,8	700 / 27,56	1900 / 74,8	640 / 25,197	1800 / 70,87	1885 / 74,21	450 / 17,717	566 / 22,283	410 / 16,142	445 / 17,52	485 / 19,094
SPD10018050_N	1000 / 39,37	1800 / 70,87	500 / 19,685	1005 / 39,57	1800 / 70,87	503 / 19,803	904 / 35,59	1700 / 66,93	900 / 35,43	1700 / 66,93	840 / 33,07	1600 / 62,99	1685 / 66,34	350 / 13,78	766 / 30,16	310 / 12,205	345 / 13,583	385 / 15,157
SPD10018060_N	1000 / 39,37	1800 / 70,87	600 / 23,62	1005 / 39,57	1800 / 70,87	603 / 23,74	904 / 35,59	1700 / 66,93	900 / 35,43	1700 / 66,93	840 / 33,07	1600 / 62,99	1685 / 66,34	450 / 17,717	766 / 30,16	410 / 16,142	445 / 17,52	485 / 19,094
SPD10020050_N	1000 / 39,37	2000 / 78,74	500 / 19,685	1005 / 39,57	2000 / 78,74	503 / 19,803	904 / 35,59	1900 / 74,8	900 / 35,43	1900 / 74,8	840 / 33,07	1800 / 70,87	1885 / 74,21	350 / 13,78	766 / 30,16	310 / 12,205	345 / 13,583	385 / 15,157
SPD10020060_N	1000 / 39,37	2000 / 78,74	600 / 23,62	1005 / 39,57	2000 / 78,74	603 / 23,74	904 / 35,59	1900 / 74,8	900 / 35,43	1900 / 74,8	840 / 33,07	1800 / 70,87	1885 / 74,21	450 / 17,717	766 / 30,16	410 / 16,142	445 / 17,52	485 / 19,094

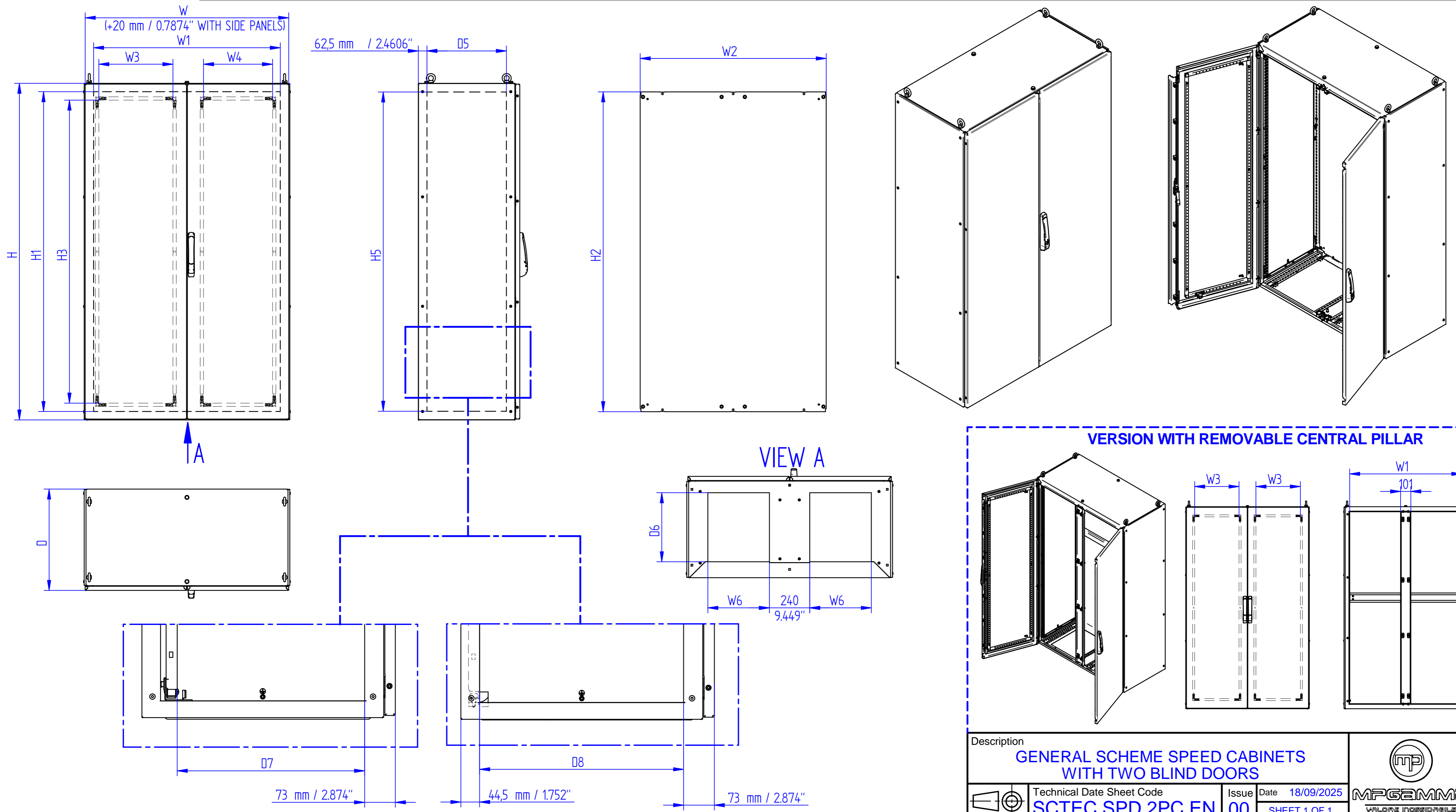


Description		GENERAL SCHEME SPEED CABINETS WITH ONE BLIND DOOR		
Technical Data Sheet Code SCTEC.SPD.1PC.EN 00				
Issue	Date 19/09/2025	SHEET 1 OF 1		

MEDIUM-GRADE TOLERANCES AS PER STANDARD: ISO2768-m

2 BLIND DOOR

ITEM CODE	NOMINAL DIMENSIONS			ACTUAL DIMENSIONS			USABLE DIMENSIONS OF FRONTAL ENTRY		MOUNTING PLATE		USABLE DIMENSIONS FOR DOOR CUTOUTS			USABLE DIMENSIONS FOR SIDE PANEL CUTOUTS		USABLE DIMENSIONS FOR CABLE ENTRY		FROM SIDE INSERTION PLATE TO UPRIGHT	FROM FRONTAL INSERTION PLATE TO DOOR
	W	H	D	W	H	D	W1	H1	W2	H2	W3	W4	H3	H5	D5	W6	D6	D7	D8
UNIT	mm / inch	mm / inch	mm / inch	mm / inch	mm / inch	mm / inch	mm / inch	mm / inch	mm / inch	mm / inch	mm / inch	mm / inch	mm / inch	mm / inch	mm / inch	mm / inch	mm / inch	mm / inch	mm / inch
SPD12018040_N	1200 / 47.24	1800 / 70.87	400 / 15.748	1210 / 47.64	1800 / 70.87	403 / 15.866	1109 / 43.66	1700 / 66.93	1105 / 43.5	1700 / 66.93	440 / 17.323	410 / 16.142	1600 / 62.99	1685 / 66.34	250 / 9.843	366 / 14.41	210 / 8.268	245 / 9.646	285 / 11.22
SPD12018050_N	1200 / 47.24	1800 / 70.87	500 / 19.685	1210 / 47.64	1800 / 70.87	503 / 19.803	1109 / 43.66	1700 / 66.93	1105 / 43.5	1700 / 66.93	440 / 17.323	410 / 16.142	1600 / 62.99	1685 / 66.34	350 / 13.78	366 / 14.41	310 / 12.205	345 / 13.583	385 / 15.157
SPD12018060_N	1200 / 47.24	1800 / 70.87	600 / 23.62	1210 / 47.64	1800 / 70.87	603 / 23.74	1109 / 43.66	1700 / 66.93	1105 / 43.5	1700 / 66.93	440 / 17.323	410 / 16.142	1600 / 62.99	1685 / 66.34	450 / 17.717	366 / 14.41	410 / 16.142	445 / 17.52	485 / 19.094
SPD12020050_N	1200 / 47.24	2000 / 78.74	500 / 19.685	1210 / 47.64	2000 / 78.74	503 / 19.803	1109 / 43.66	1900 / 74.8	1105 / 43.5	1900 / 74.8	440 / 17.323	410 / 16.142	1800 / 70.87	1685 / 66.34	350 / 13.78	366 / 14.41	310 / 12.205	345 / 13.583	385 / 15.157
SPD12020060_N	1200 / 47.24	2000 / 78.74	600 / 23.62	1210 / 47.64	2000 / 78.74	603 / 23.74	1109 / 43.66	1900 / 74.8	1105 / 43.5	1900 / 74.8	440 / 17.323	410 / 16.142	1800 / 70.87	1685 / 66.34	450 / 17.717	366 / 14.41	410 / 16.142	445 / 17.52	485 / 19.094
VERSION WITH CENTRAL PILLAR																			
SPD12018040CM_N	1200 / 47.24	1800 / 70.87	400 / 15.748	1210 / 47.64	1800 / 70.87	403 / 15.866	1109 / 43.66	1700 / 66.93	1105 / 43.5	1700 / 66.93	440 / 17.323	-	1600 / 62.99	1685 / 66.34	250 / 9.843	366 / 14.41	210 / 8.268	245 / 9.646	285 / 11.22
SPD12018050CM_N	1200 / 47.24	1800 / 70.87	500 / 19.685	1210 / 47.64	1800 / 70.87	503 / 19.803	1109 / 43.66	1700 / 66.93	1105 / 43.5	1700 / 66.93	440 / 17.323	-	1600 / 62.99	1685 / 66.34	350 / 13.78	366 / 14.41	310 / 12.205	345 / 13.583	385 / 15.157
SPD12018060CM_N	1200 / 47.24	1800 / 70.87	600 / 23.62	1210 / 47.64	1800 / 70.87	603 / 23.74	1109 / 43.66	1700 / 66.93	1105 / 43.5	1700 / 66.93	440 / 17.323	-	1600 / 62.99	1685 / 66.34	450 / 17.717	366 / 14.41	410 / 16.142	445 / 17.52	485 / 19.094
SPD12020050CM_N	1200 / 47.24	2000 / 78.74	500 / 19.685	1210 / 47.64	2000 / 78.74	503 / 19.803	1109 / 43.66	1900 / 74.8	1105 / 43.5	1900 / 74.8	440 / 17.323	-	1800 / 70.87	1685 / 66.34	350 / 13.78	366 / 14.41	310 / 12.205	345 / 13.583	385 / 15.157
SPD12020060CM_N	1200 / 47.24	2000 / 78.74	600 / 23.62	1210 / 47.64	2000 / 78.74	603 / 23.74	1109 / 43.66	1900 / 74.8	1105 / 43.5	1900 / 74.8	440 / 17.323	-	1800 / 70.87	1685 / 66.34	450 / 17.717	366 / 14.41	410 / 16.142	445 / 17.52	485 / 19.094



VERSION WITH REMOVABLE CENTRAL PILLAR

Description
GENERAL SCHEME SPEED CABINETS WITH TWO BLIND DOORS

Technical Date Sheet Code
SCTEC.SPD.2PC.EN 00

Issue Date 18/09/2025
 SHEET 1 OF 1

MPGAMMA
 WILDA INNOVABLE

MEDIUM-GRADE TOLERANCES AS PER STANDARD: ISO2768-m