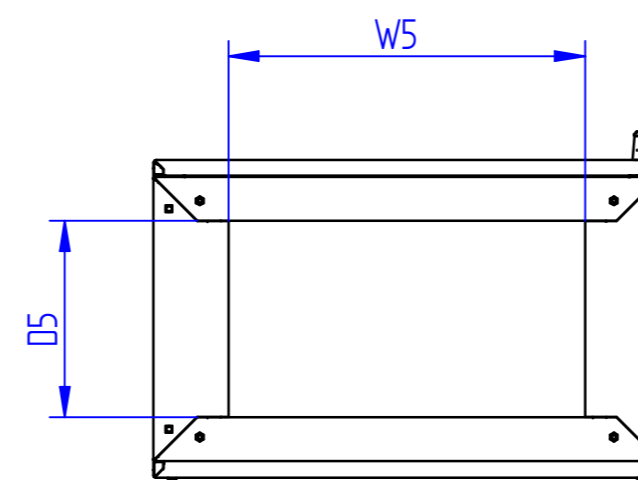
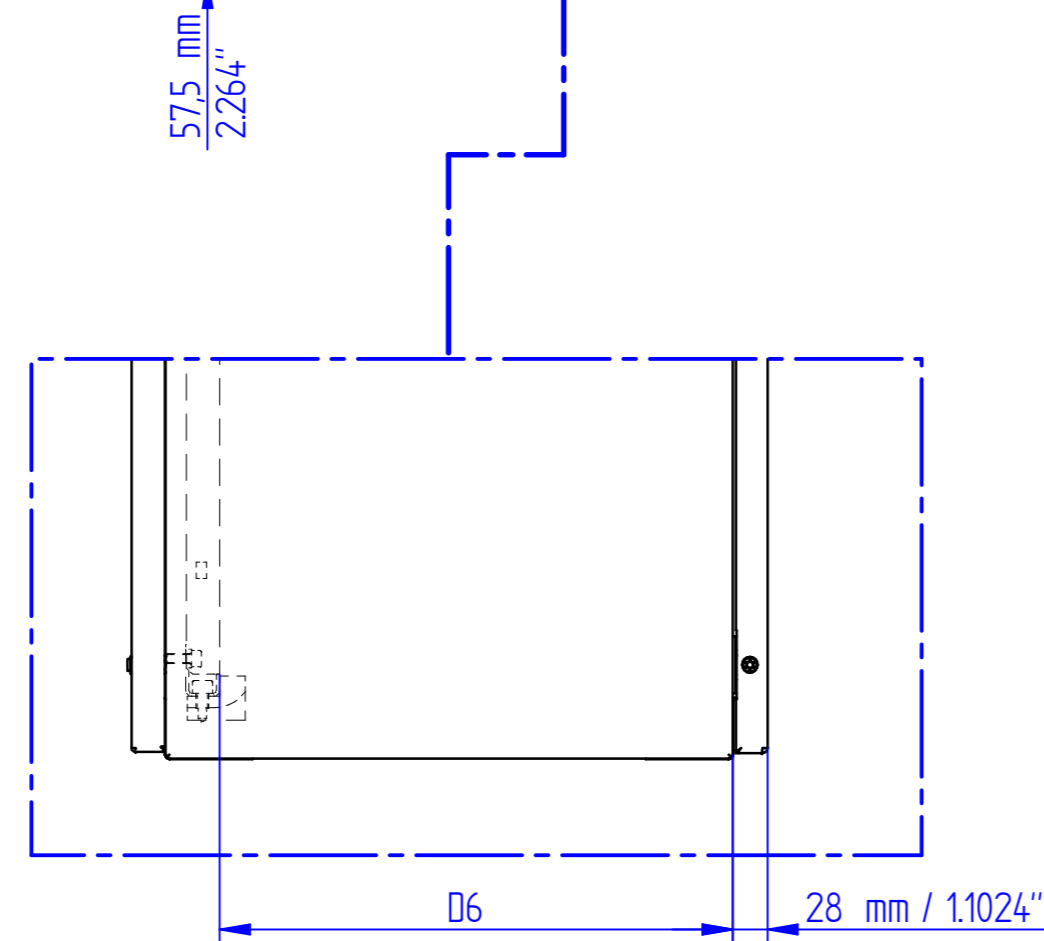
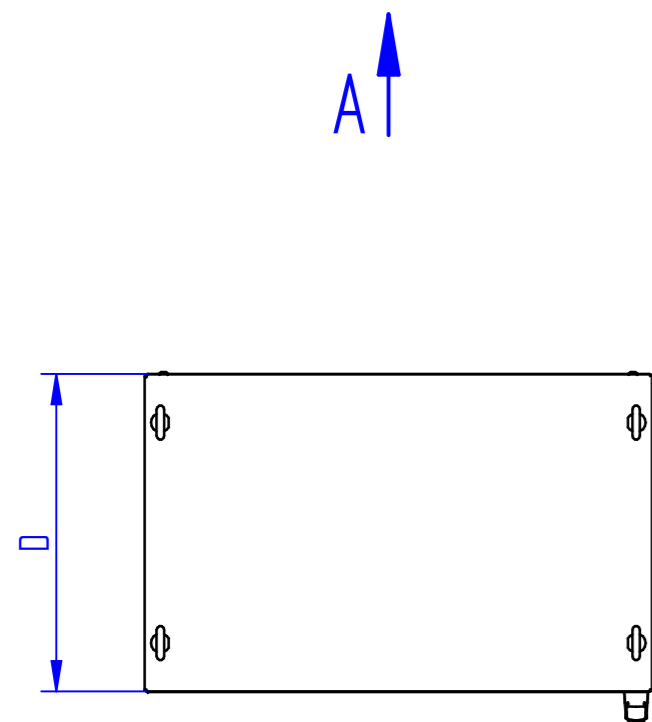
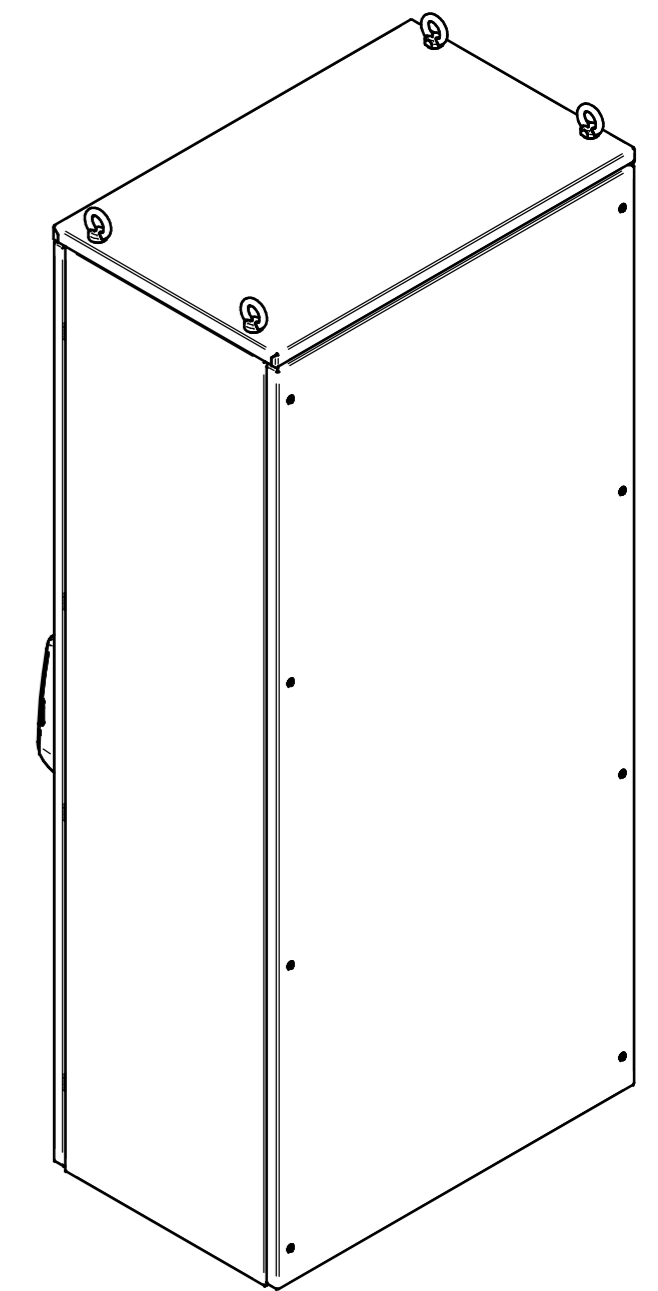
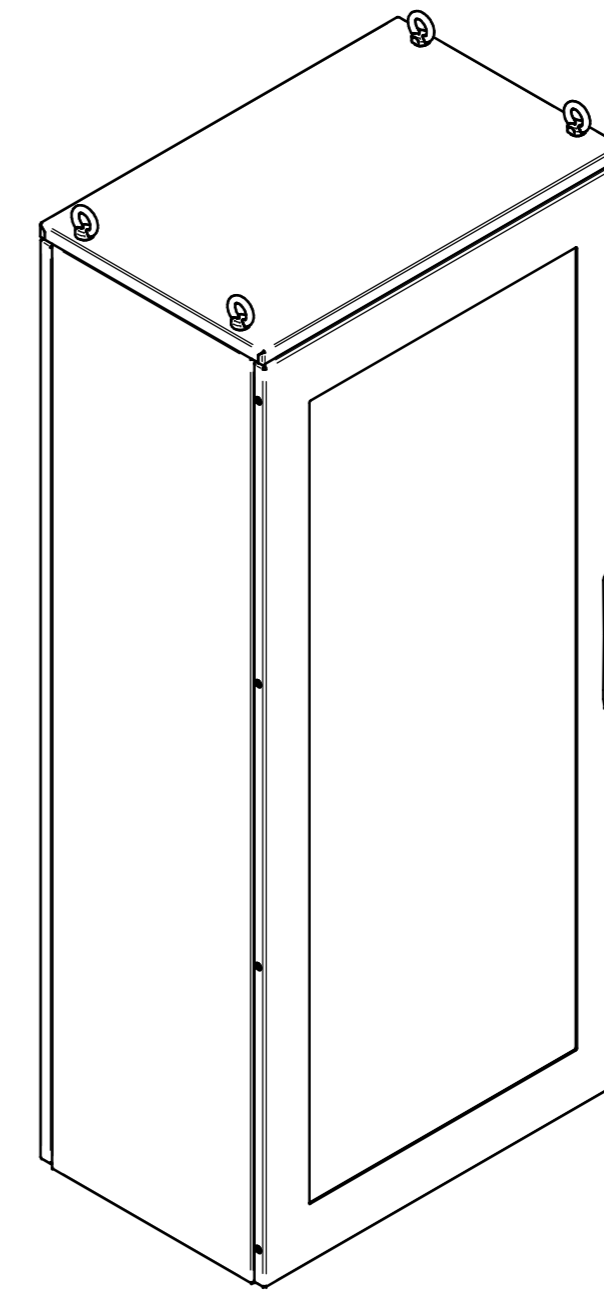
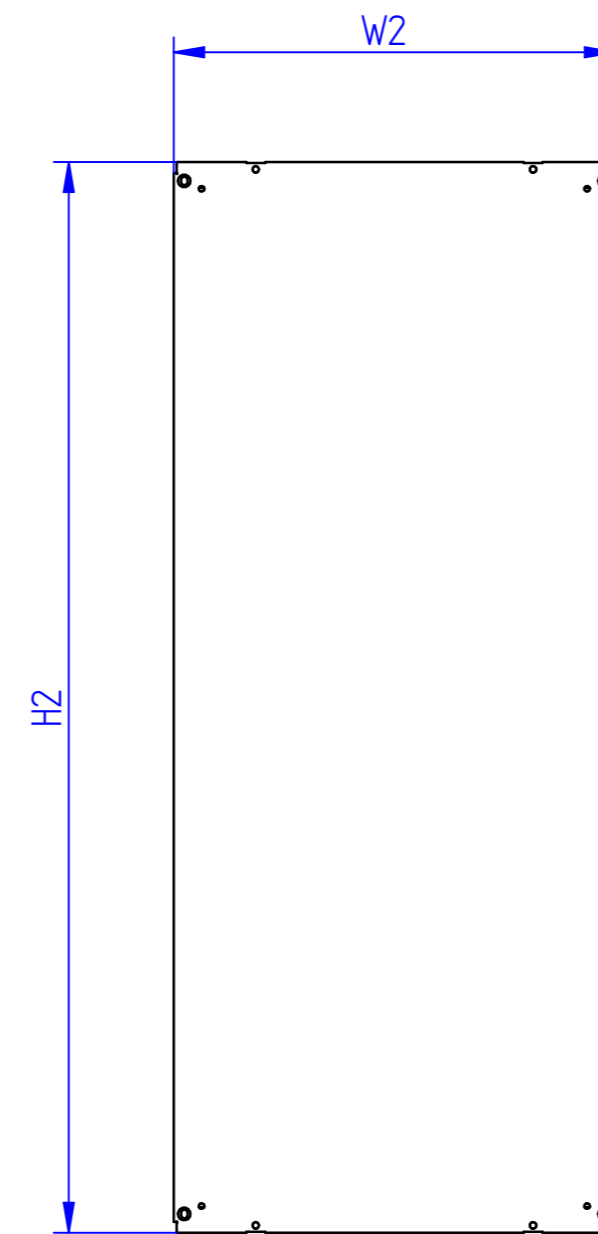
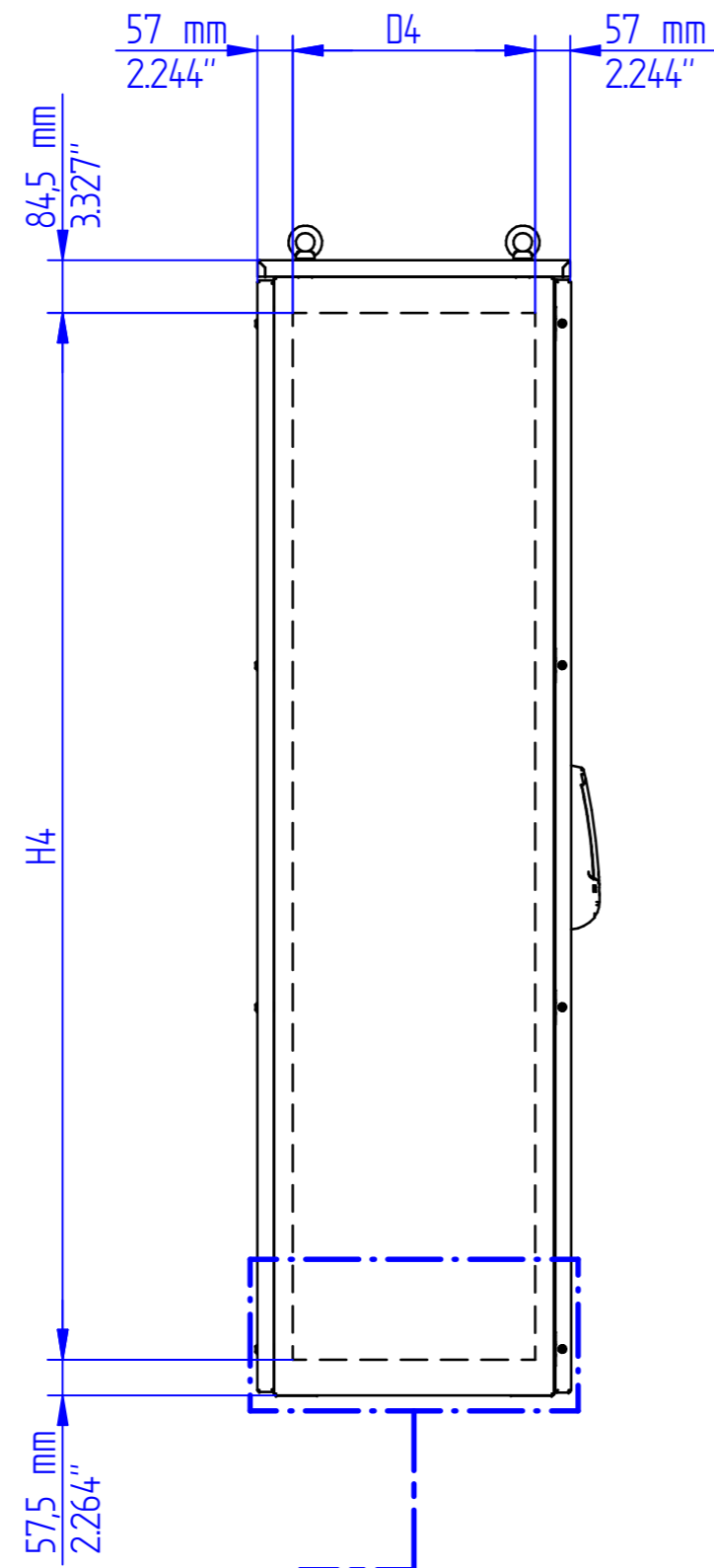
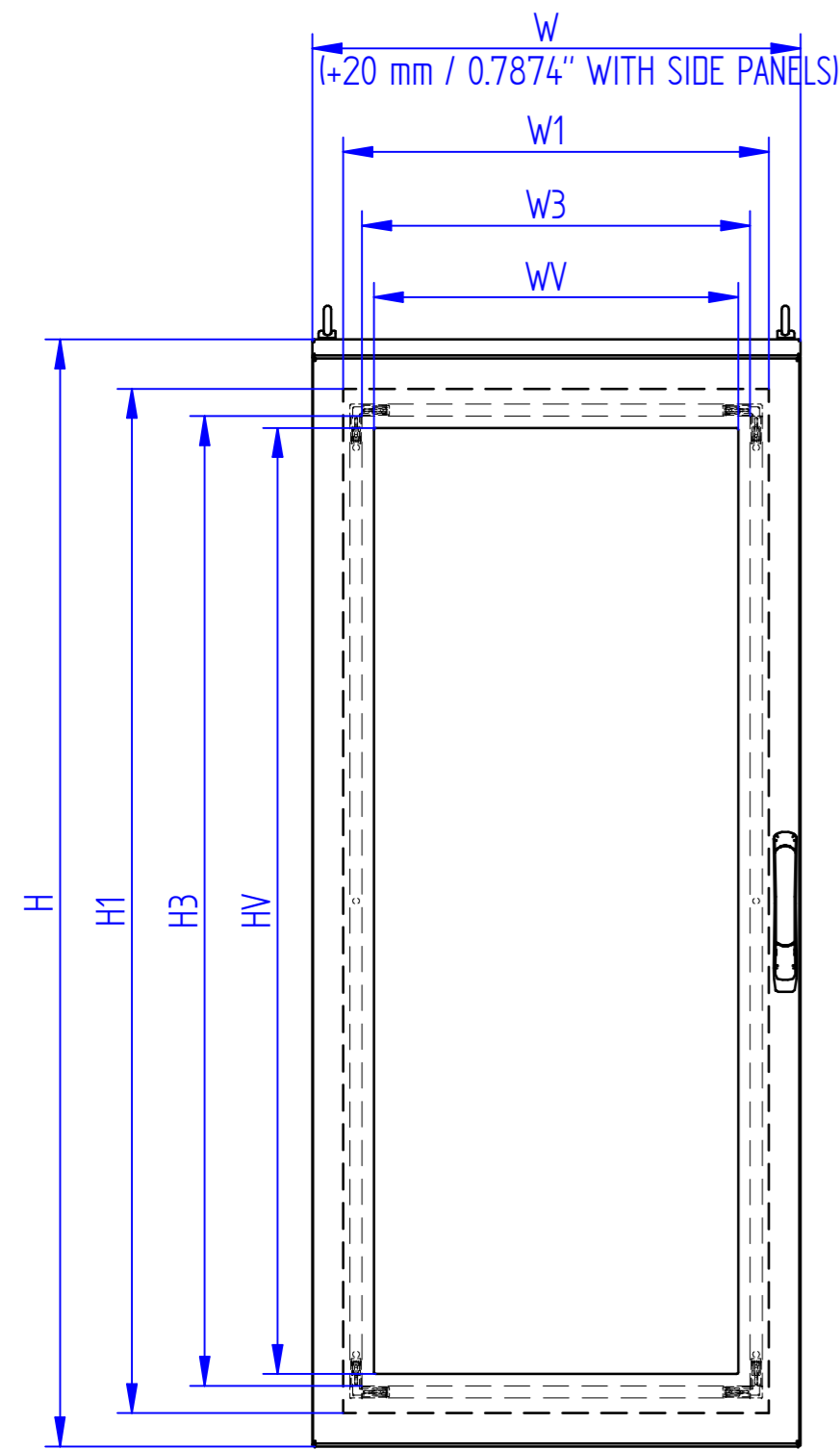

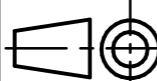


| ITEM CODE    | NOMINAL DIMENSIONS |              |              | ACTUAL DIMENSIONS |              |              | TRANSPARENT DOOR PANEL |              | USABLE DIMENSIONS OF FRONTAL ENTRY |              | MOUNTING PLATE |              | USABLE DIMENSIONS FOR DOOR CUTOUTS |              | USABLE DIMENSIONS FOR SIDE PANEL CUTOUTS |              | USABLE DIMENSIONS FOR CABLE ENTRY |              | FROM FRONTAL INSERTION PLATE TO DOOR |
|--------------|--------------------|--------------|--------------|-------------------|--------------|--------------|------------------------|--------------|------------------------------------|--------------|----------------|--------------|------------------------------------|--------------|--|--------------|-----------------------------------|--------------|--------------------------------------|
|              | W                  | H            | D            | W                 | H            | D            | WW                     | HV           | W1                                 | H1           | W2             | H2           | W3                                 | H3           | H4                                       | D4           | W5                                | D5           | D6                                   |
|              | mm / inch          | mm / inch    | mm / inch    | mm / inch         | mm / inch    | mm / inch    | mm / inch              | mm / inch    | mm / inch                          | mm / inch    | mm / inch      | mm / inch    | mm / inch                          | mm / inch    | mm / inch                                | mm / inch    | mm / inch                         | mm / inch    | mm / inch                            |
| SLS6018040_N | 600 / 23,62        | 1800 / 70,87 | 400 / 15,748 | 605 / 23,82       | 1827 / 71,93 | 403 / 15,866 | 400 / 15,748           | 1560 / 61,42 | 504 / 19,843                       | 1700 / 66,93 | 500 / 19,685   | 1700 / 66,93 | 440 / 17,323                       | 1600 / 62,99 | 1685 / 66,34                             | 290 / 11,417 | 366 / 14,41                       | 210 / 8,268  | 307 / 12,087                         |
| SLS8018040_N | 800 / 31,496       | 1800 / 70,87 | 400 / 15,748 | 805 / 31,69       | 1827 / 71,93 | 403 / 15,866 | 600 / 23,62            | 1560 / 61,42 | 704 / 27,717                       | 1700 / 66,93 | 700 / 27,56    | 1700 / 66,93 | 640 / 25,197                       | 1600 / 62,99 | 1685 / 66,34                             | 290 / 11,417 | 566 / 22,283                      | 210 / 8,268  | 307 / 12,087                         |
| SLS8018050_N | 800 / 31,496       | 1800 / 70,87 | 500 / 19,685 | 805 / 31,69       | 1827 / 71,93 | 503 / 19,803 | 600 / 23,62            | 1560 / 61,42 | 704 / 27,717                       | 1700 / 66,93 | 700 / 27,56    | 1700 / 66,93 | 640 / 25,197                       | 1600 / 62,99 | 1685 / 66,34                             | 390 / 15,354 | 566 / 22,283                      | 310 / 12,205 | 407 / 16,024                         |
| SLS8020050_N | 800 / 31,496       | 2000 / 78,74 | 500 / 19,685 | 805 / 31,69       | 2027 / 79,8  | 503 / 19,803 | 600 / 23,62            | 1760 / 69,29 | 704 / 27,717                       | 1900 / 74,8  | 700 / 27,56    | 1900 / 74,8  | 640 / 25,197                       | 1800 / 70,87 | 1885 / 74,21                             | 390 / 15,354 | 566 / 22,283                      | 310 / 12,205 | 407 / 16,024                         |

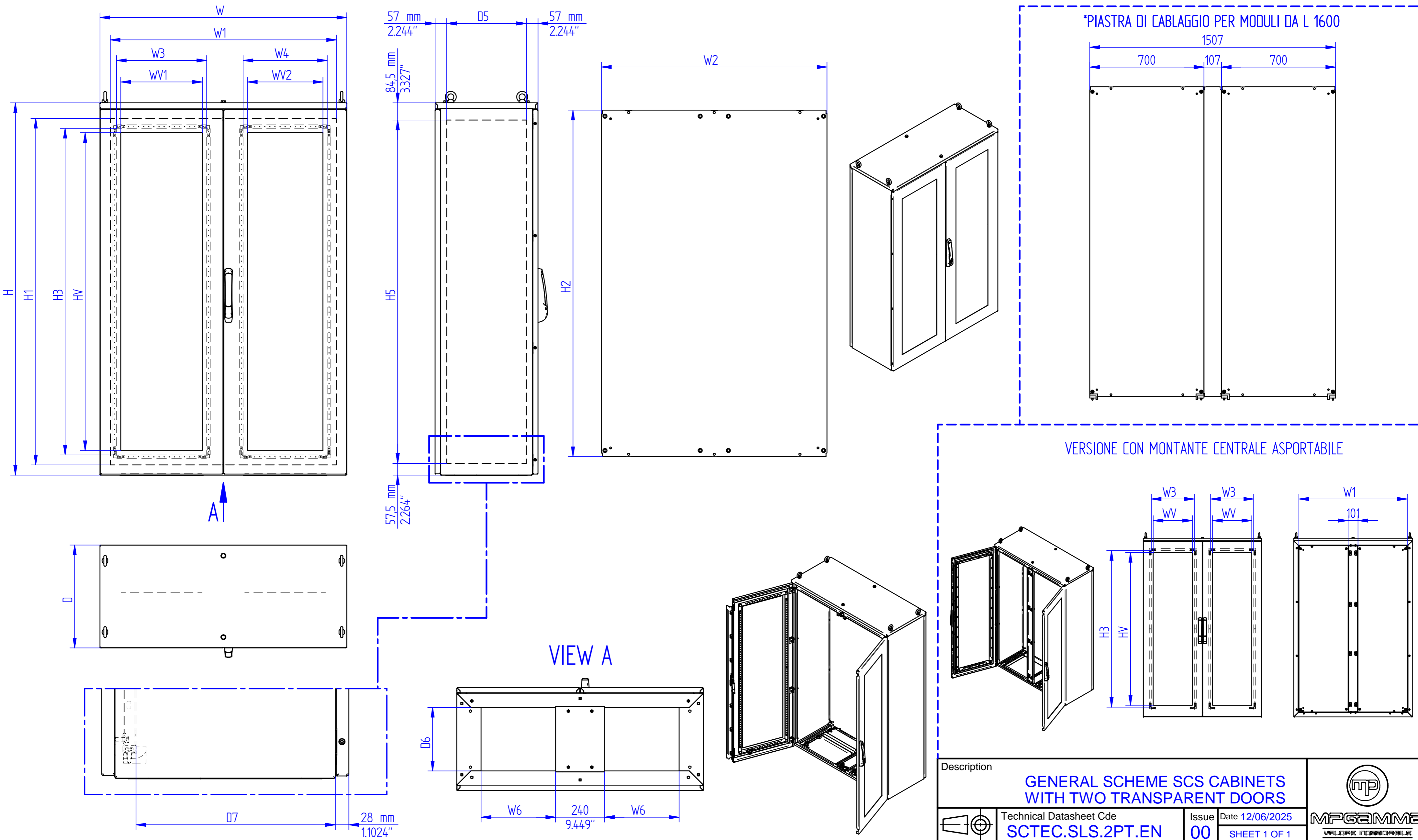


VIEW A

|   |                          |   |                                       |   |
|---|--------------------------|---|---------------------------------------|---|
| Description   |                          | GENERAL SCHEME SCS CABINETS WITH ONE TRANSPARENT DOOR |                                       | <br><b>MPGAMMA</b><br><small>WORLDWIDE</small> |
|  | Technical Datasheet Code | <b>SCTEC.SCS.1PT.EN 00</b>                            | Issue Date 19/09/2025<br>SHEET 1 OF 1 |   |

2 TRANSPARENT DOORS

| ITEM CODE                          | NOMINAL DIMENSIONS |              |              | ACTUAL DIMENSIONS |              |              | TRANSPARENT DOOR PANEL |              |              |              | USABLE DIMENSIONS OF FRONTAL ENTRY |              | MOUNTING PLATE |              | USABLE DIMENSIONS FOR DOOR CUTOUTS |              |              | USABLE DIMENSIONS FOR SIDE PANEL CUTOUTS |              | USABLE DIMENSIONS FOR CABLE ENTRY |              | FROM FRONTAL INSERTION PLATE TO DOOR |           |
|------------------------------------|--------------------|--------------|--------------|-------------------|--------------|--------------|------------------------|--------------|--------------|--------------|------------------------------------|--------------|----------------|--------------|------------------------------------|--------------|--------------|--|--------------|-----------------------------------|--------------|--------------------------------------|-----------|
|                                    | W                  | H            | D            | W                 | H            | D            | WW                     | WW1          | WW2          | HV           | W1                                 | H1           | W2             | H2           | W3                                 | W4           | H3           | H5                                       | D5           | W6                                | D6           | D7                                   |           |
| UNIT                               | mm / inch          | mm / inch    | mm / inch    | mm / inch         | mm / inch    | mm / inch    | mm / inch              | mm / inch    | mm / inch    | mm / inch    | mm / inch                          | mm / inch    | mm / inch      | mm / inch    | mm / inch                          | mm / inch    | mm / inch    | mm / inch                                | mm / inch    | mm / inch                         | mm / inch    | mm / inch                            | mm / inch |
| SLS12018040_SM_N                   | 1200 / 47.24       | 1800 / 70.87 | 400 / 15.748 | 1210 / 47.64      | 1827 / 71.93 | 403 / 15.866 | -                      | 400 / 15.748 | 370 / 14.567 | 1560 / 61.42 | 1109 / 43.66                       | 1700 / 66.93 | 1105 / 43.5    | 1700 / 66.93 | 440 / 17.323                       | 410 / 16.142 | 1600 / 62.99 | 1685 / 66.34                             | 290 / 11.417 | 366 / 14.41                       | 210 / 8.268  | 307 / 12.087                         |           |
| SLS12018050_SM_N                   | 1200 / 47.24       | 1800 / 70.87 | 500 / 19.685 | 1210 / 47.64      | 1827 / 71.93 | 503 / 19.803 | -                      | 400 / 15.748 | 370 / 14.567 | 1560 / 61.42 | 1109 / 43.66                       | 1700 / 66.93 | 1105 / 43.5    | 1700 / 66.93 | 440 / 17.323                       | 410 / 16.142 | 1600 / 62.99 | 1685 / 66.34                             | 390 / 15.354 | 366 / 14.41                       | 310 / 12.205 | 407 / 16.024                         |           |
| SIS12020050_SM_N                   | 1200 / 47.24       | 2000 / 78.74 | 500 / 19.685 | 1210 / 47.64      | 2027 / 79.8  | 503 / 19.803 | -                      | 400 / 15.748 | 370 / 14.567 | 1760 / 69.29 | 1109 / 43.66                       | 1900 / 74.8  | 1105 / 43.5    | 1900 / 74.8  | 440 / 17.323                       | 410 / 16.142 | 1800 / 70.87 | 1885 / 74.21                             | 390 / 15.354 | 366 / 14.41                       | 310 / 12.205 | 407 / 16.024                         |           |
| <b>VERSION WITH CENTRAL PILLAR</b> |                    |              |              |                   |              |              |                        |              |              |              |                                    |              |                |              |                                    |              |              |  |              |                                   |              |                                      |           |
| SLS16018040_N                      | 1600 / 62.99       | 1800 / 70.87 | 400 / 15.748 | 1610 / 63.39      | 1827 / 71.93 | 403 / 15.866 | 600 / 23.62            | -            | -            | 1560 / 61.42 | 1509 / 59.41                       | 1700 / 66.93 | 1507* / 59.33* | 1700 / 66.93 | 640 / 25.197                       | -            | 1600 / 62.99 | 1685 / 66.34                             | 290 / 11.417 | 566 / 22.283                      | 210 / 8.268  | 307 / 12.087                         |           |
| SLS16018050_N                      | 1600 / 62.99       | 1800 / 70.87 | 500 / 19.685 | 1610 / 63.39      | 1827 / 71.93 | 503 / 19.803 | 600 / 23.62            | -            | -            | 1560 / 61.42 | 1509 / 59.41                       | 1700 / 66.93 | 1507* / 59.33* | 1700 / 66.93 | 640 / 25.197                       | -            | 1600 / 62.99 | 1685 / 66.34                             | 390 / 15.354 | 566 / 22.283                      | 310 / 12.205 | 407 / 16.024                         |           |
| SLS16020050_N                      | 1600 / 62.99       | 2000 / 78.74 | 500 / 19.685 | 1610 / 63.39      | 2027 / 79.8  | 503 / 19.803 | 600 / 23.62            | -            | -            | 1760 / 69.29 | 1509 / 59.41                       | 1900 / 74.8  | 1507* / 59.33* | 1900 / 74.8  | 640 / 25.197                       | -            | 1800 / 70.87 | 1885 / 74.21                             | 390 / 15.354 | 566 / 22.283                      | 310 / 12.205 | 407 / 16.024                         |           |



MEDIUM-GRADE TOLERANCES AS PER STANDARD : ISO2768-m