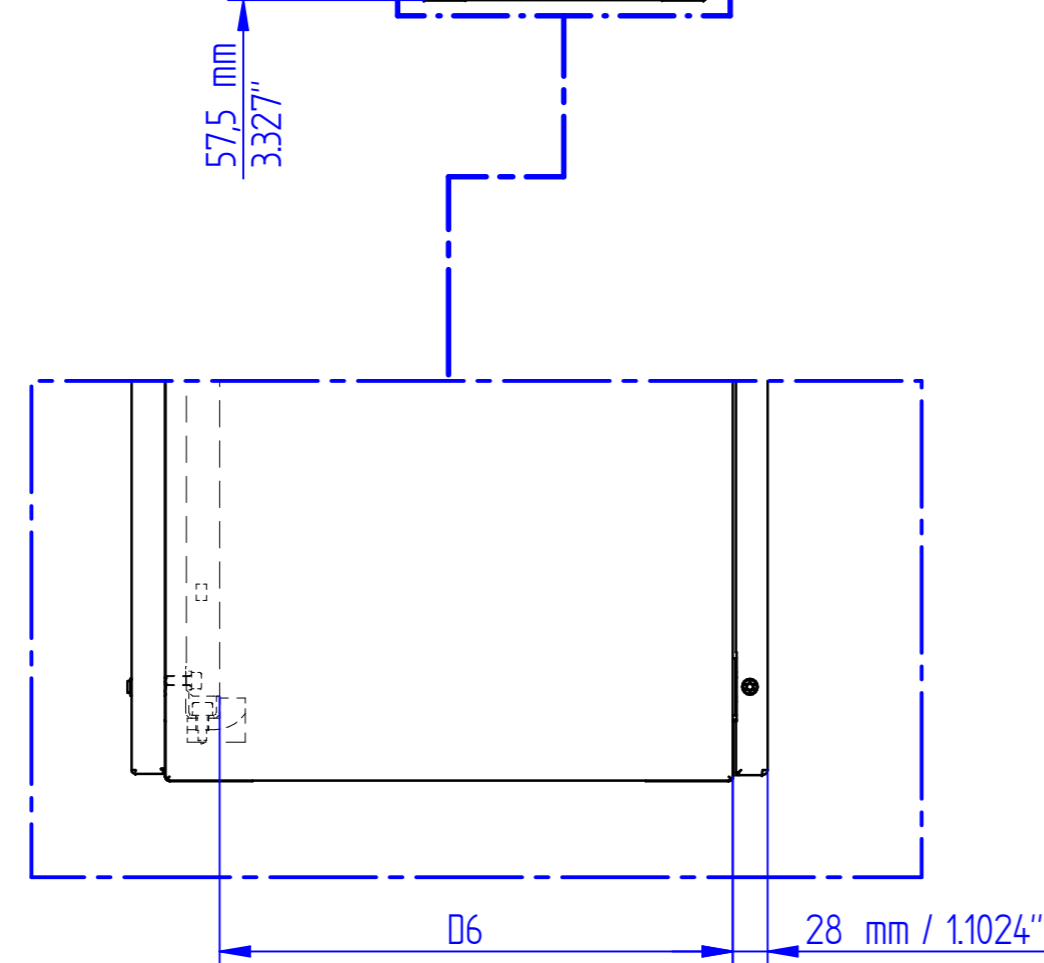
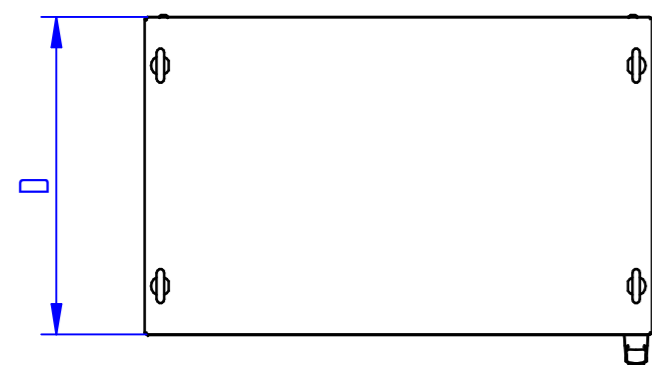
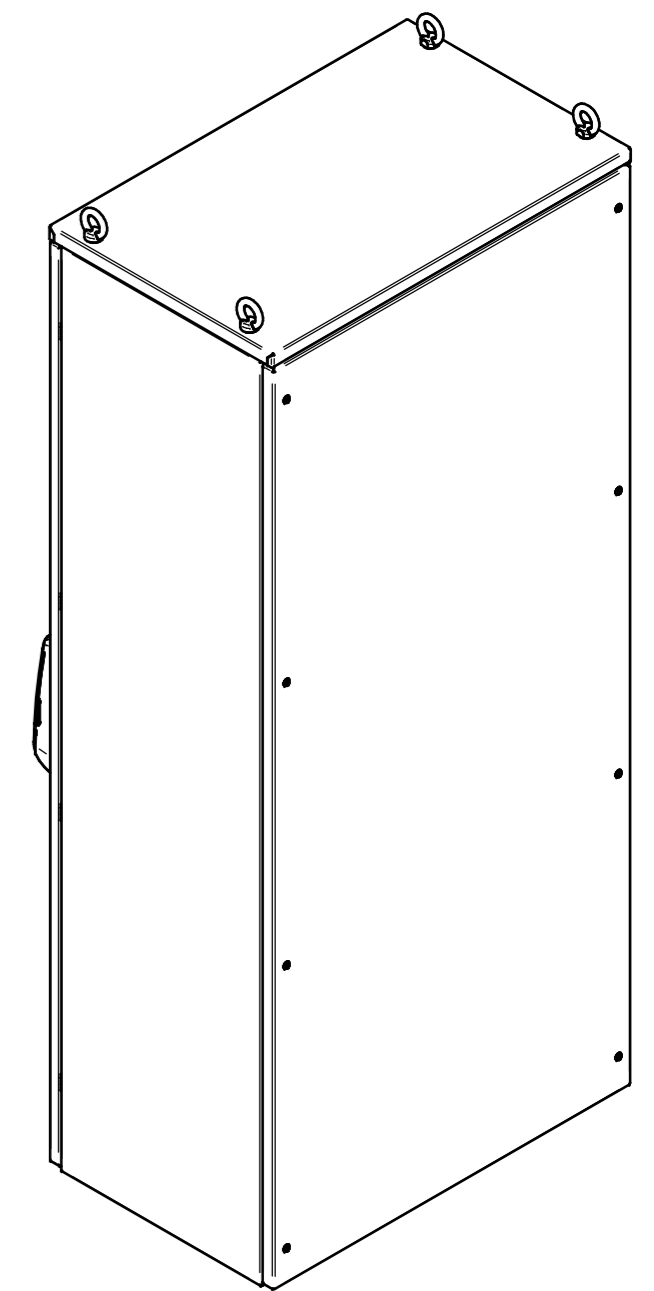
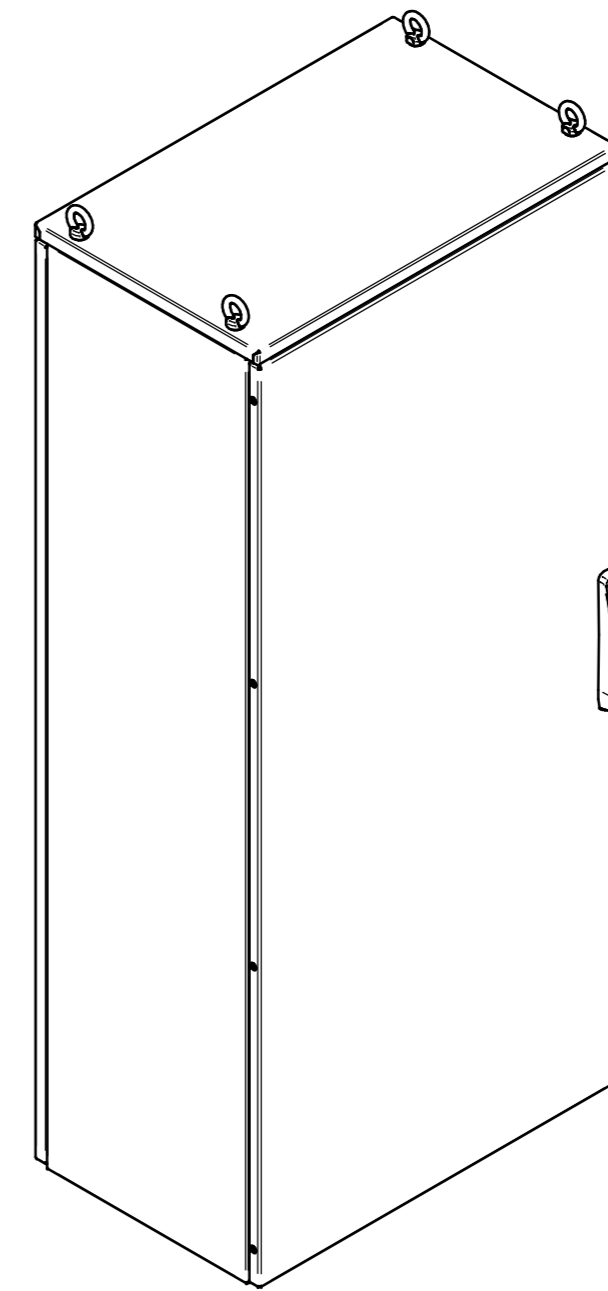
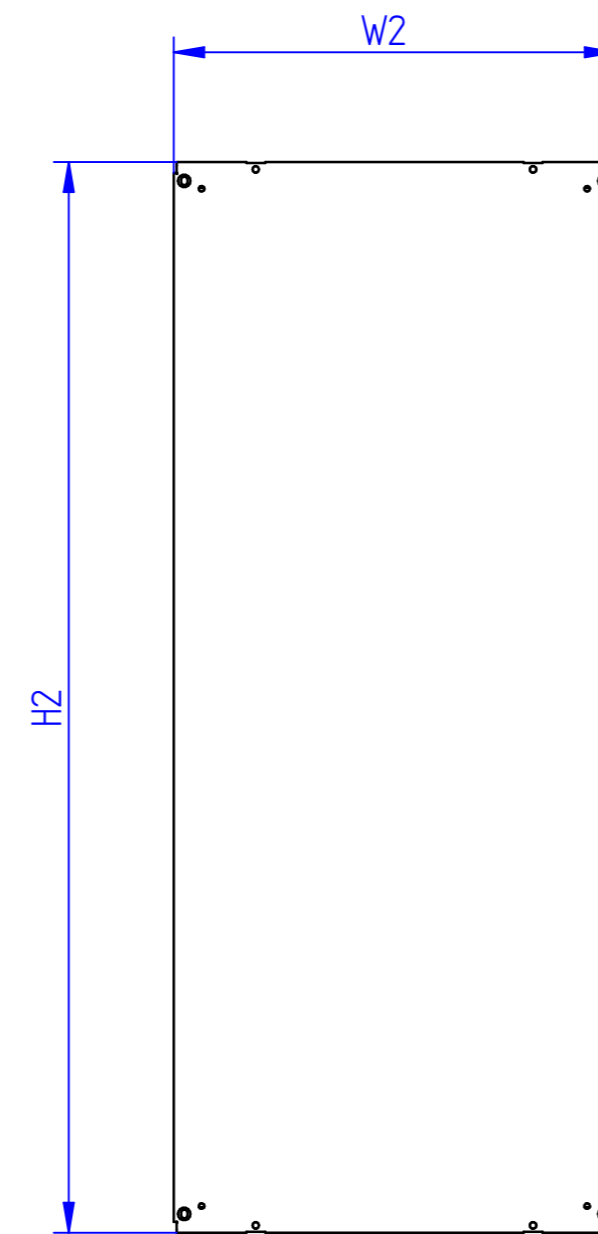
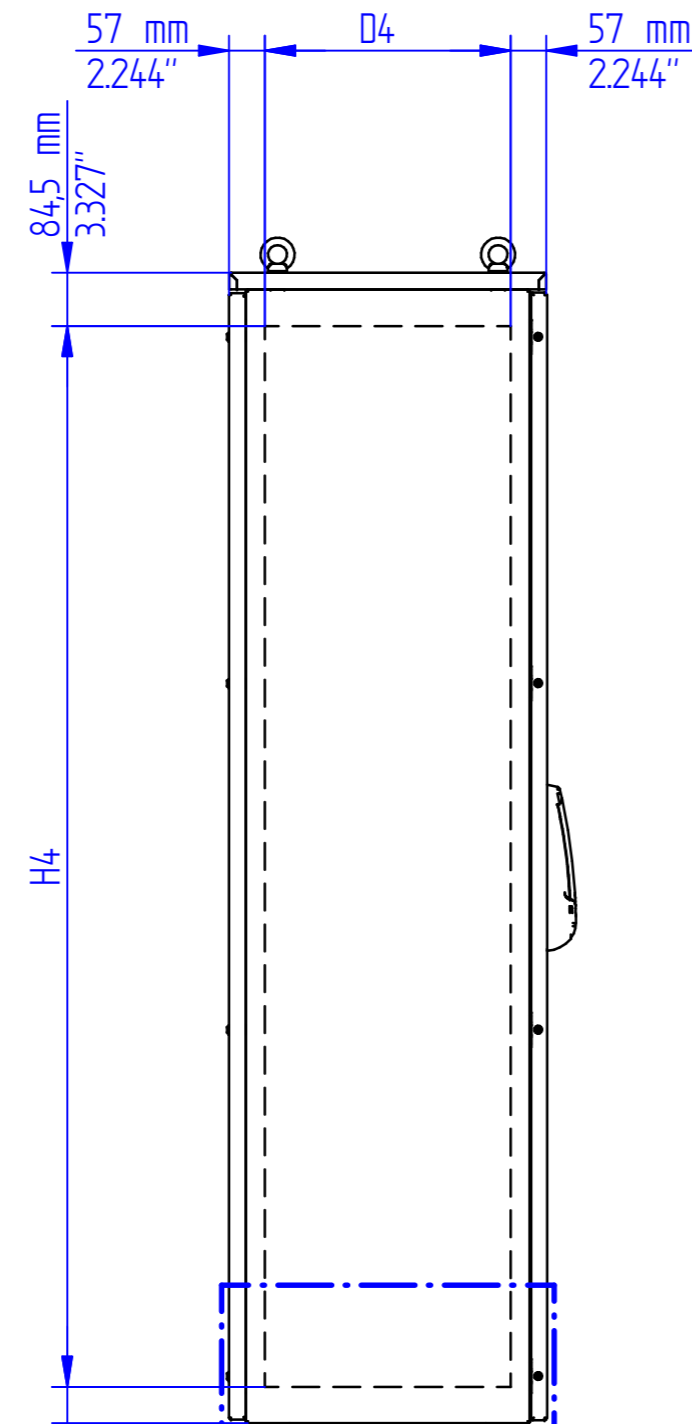
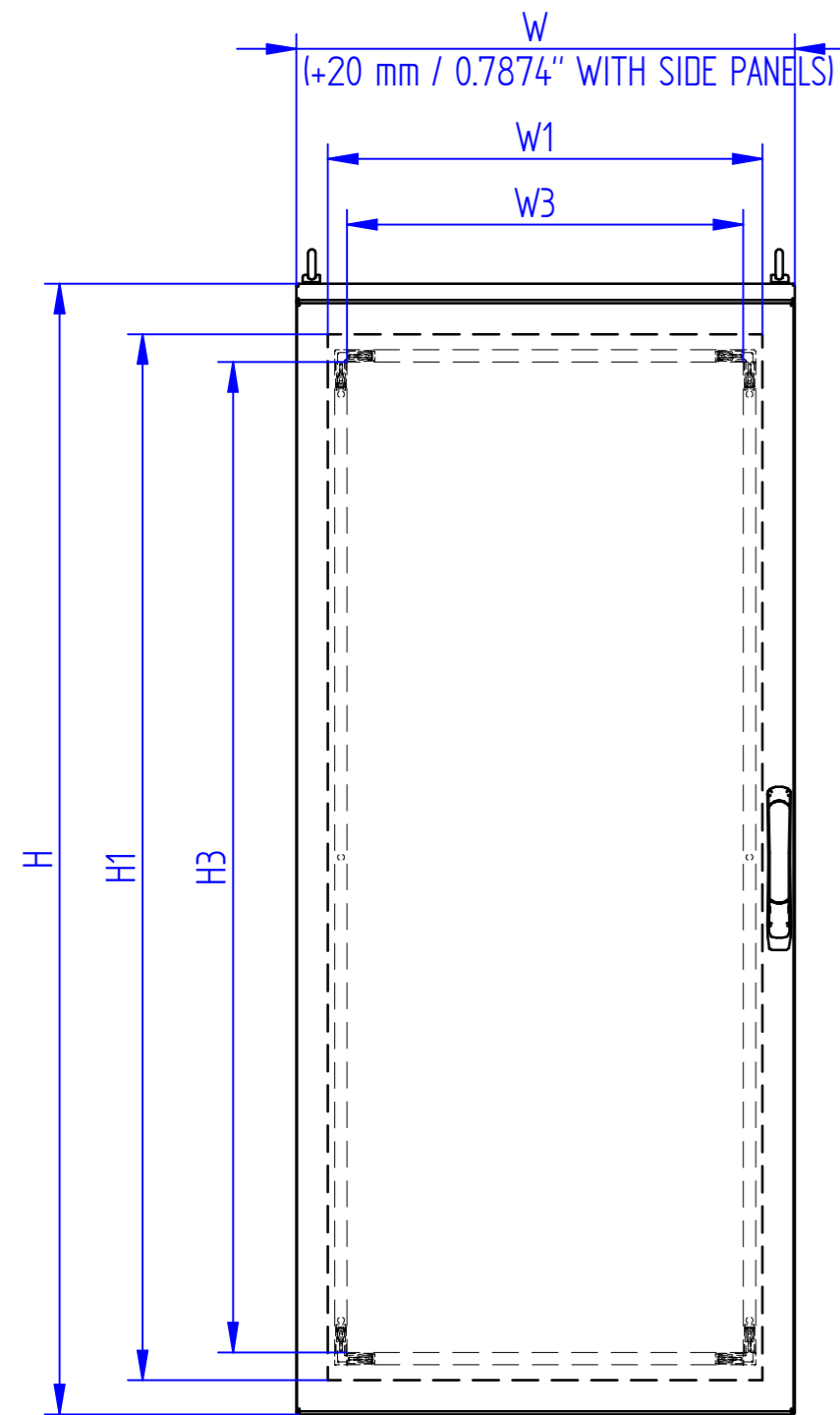
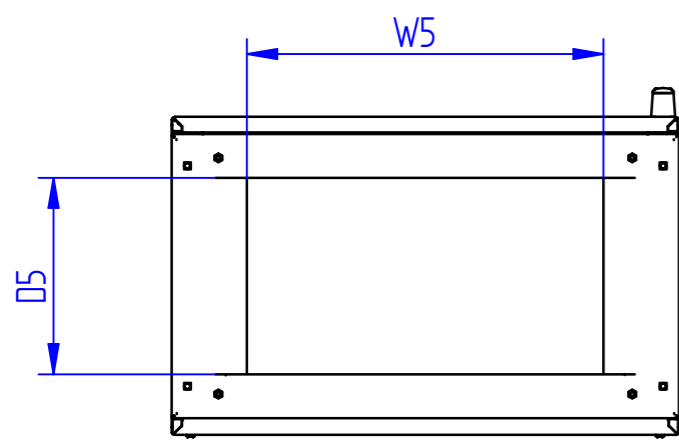


1 BLIND DOOR

ITEM CODE	NOMINAL DIMENSIONS			ACTUAL DIMENSIONS			USABLE DIMENSIONS OF FRONTAL ENTRY		MOUNTING PLATE		USABLE DIMENSIONS FOR DOOR CUTOUTS		USABLE DIMENSIONS FOR SIDE PANEL CUTOUTS		USABLE DIMENSIONS FOR CABLE ENTRY		FROM FRONTAL INSERTION PLATE TO DOOR
	W	H	D	W	H	D	W1	H1	W2	H2	W3	H3	H4	D4	W5	D5	D6
SCS6018040_N	600 / 23,62	1800 / 70,87	400 / 15,748	605 / 23,82	1827 / 71,93	403 / 15,866	504 / 19,843	1700 / 66,93	500 / 19,685	1700 / 66,93	440 / 17,323	1600 / 62,99	1685 / 66,34	290 / 11,417	366 / 14,41	210 / 8,268	307 / 12,087
SCS8016040_N	800 / 31,496	1600 / 62,99	400 / 15,748	805 / 31,69	1627 / 64,06	403 / 15,866	704 / 27,717	1500 / 59,06	700 / 27,56	1500 / 59,06	640 / 25,197	1400 / 55,12	1485 / 58,46	290 / 11,417	566 / 22,283	210 / 8,268	307 / 12,087
SCS8018040_N	800 / 31,496	1800 / 70,87	400 / 15,748	805 / 31,69	1827 / 71,93	403 / 15,866	704 / 27,717	1700 / 66,93	700 / 27,56	1700 / 66,93	640 / 25,197	1600 / 62,99	1685 / 66,34	290 / 11,417	566 / 22,283	210 / 8,268	307 / 12,087
SCS8018050_N	800 / 31,496	1800 / 70,87	500 / 19,685	805 / 31,69	1827 / 71,93	503 / 19,803	704 / 27,717	1700 / 66,93	700 / 27,56	1700 / 66,93	640 / 25,197	1600 / 62,99	1685 / 66,34	390 / 15,354	566 / 22,283	310 / 12,205	407 / 16,024
SCS8020040_N	800 / 31,496	2000 / 78,74	400 / 15,748	805 / 31,69	2027 / 79,8	403 / 15,866	704 / 27,717	1900 / 74,8	700 / 27,56	1900 / 74,8	640 / 25,197	1800 / 70,87	1885 / 74,21	290 / 11,417	566 / 22,283	210 / 8,268	307 / 12,087
SCS8020050_N	800 / 31,496	2000 / 78,74	500 / 19,685	805 / 31,69	2027 / 79,8	503 / 19,803	704 / 27,717	1900 / 74,8	700 / 27,56	1900 / 74,8	640 / 25,197	1800 / 70,87	1885 / 74,21	390 / 15,354	566 / 22,283	310 / 12,205	307 / 12,087
SCS10018040_N	1000 / 39,37	1800 / 70,87	400 / 15,748	1005 / 39,57	1827 / 71,93	403 / 15,866	904 / 35,59	1700 / 66,93	900 / 35,43	1700 / 66,93	840 / 33,07	1600 / 62,99	1685 / 66,34	290 / 11,417	766 / 30,16	210 / 8,268	307 / 12,087
SCS10018050_N	1000 / 39,37	1800 / 70,87	500 / 19,685	1005 / 39,57	1827 / 71,93	503 / 19,803	904 / 35,59	1700 / 66,93	900 / 35,43	1700 / 66,93	840 / 33,07	1600 / 62,99	1685 / 66,34	390 / 15,354	766 / 30,16	310 / 12,205	407 / 16,024
SCS10020050_N	1000 / 39,37	2000 / 78,74	500 / 19,685	1005 / 39,57	2027 / 79,8	503 / 19,803	904 / 35,59	1900 / 74,8	900 / 35,43	1900 / 74,8	840 / 33,07	1800 / 70,87	1885 / 74,21	390 / 15,354	766 / 30,16	310 / 12,205	407 / 16,024

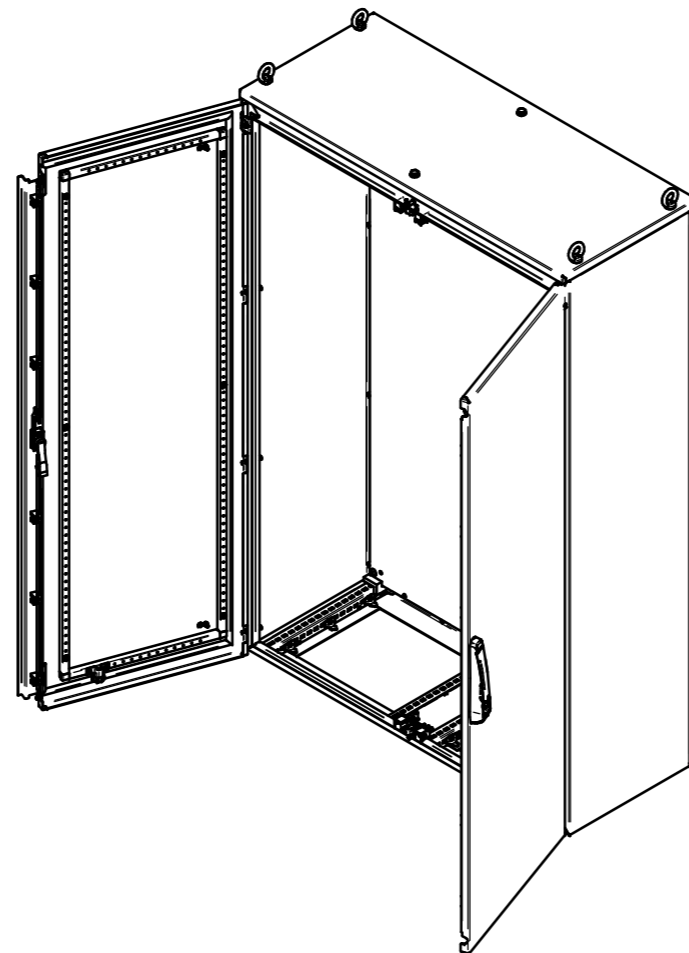
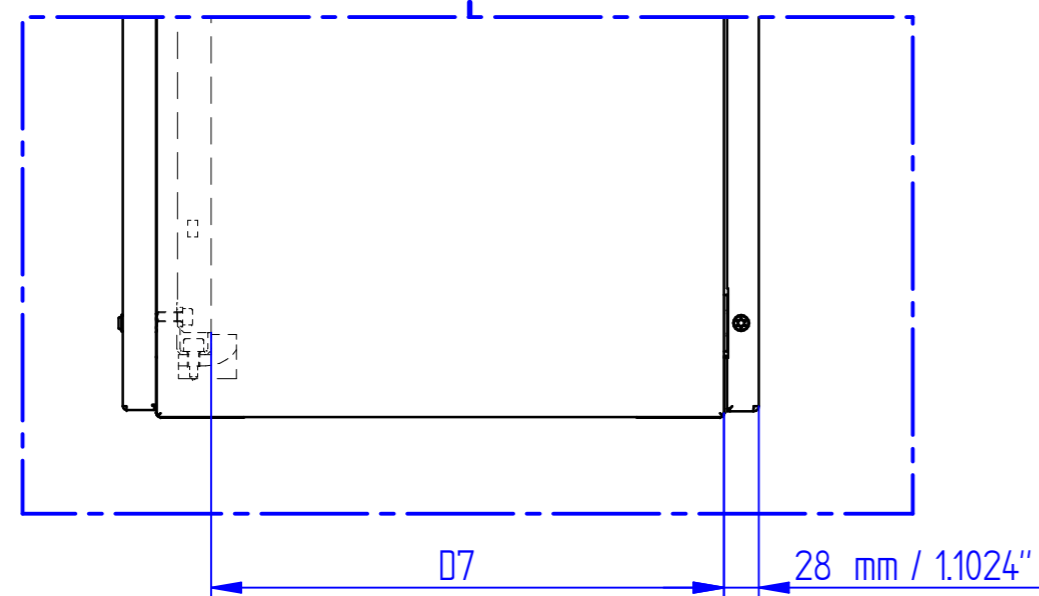
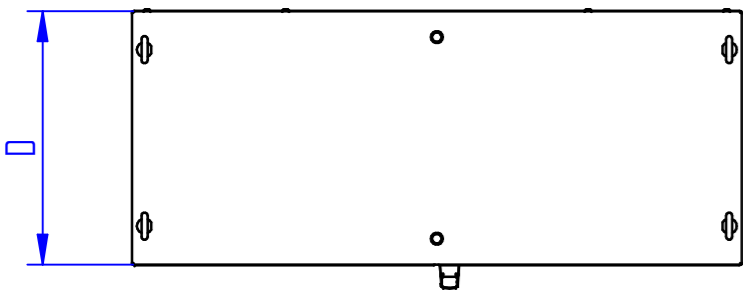
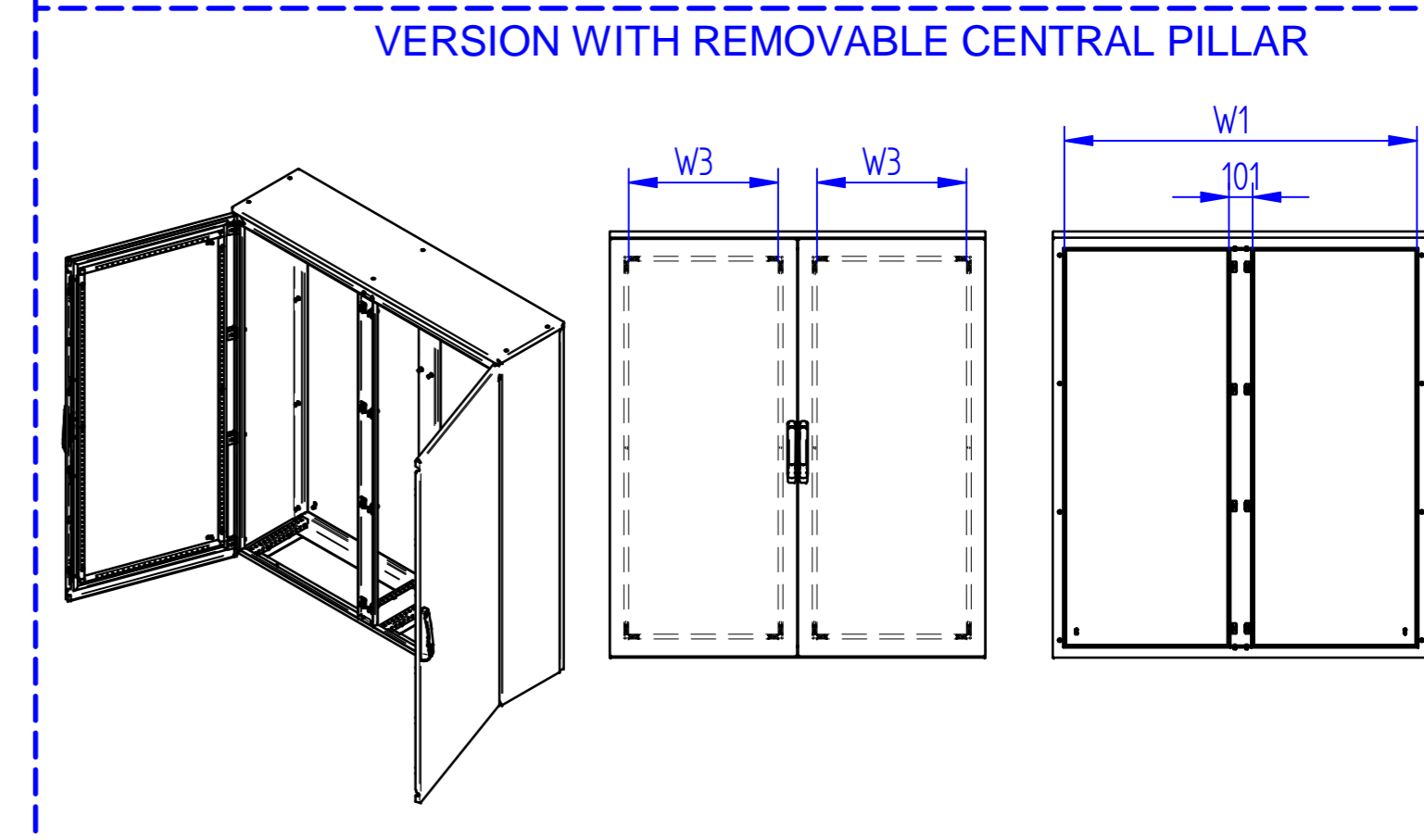
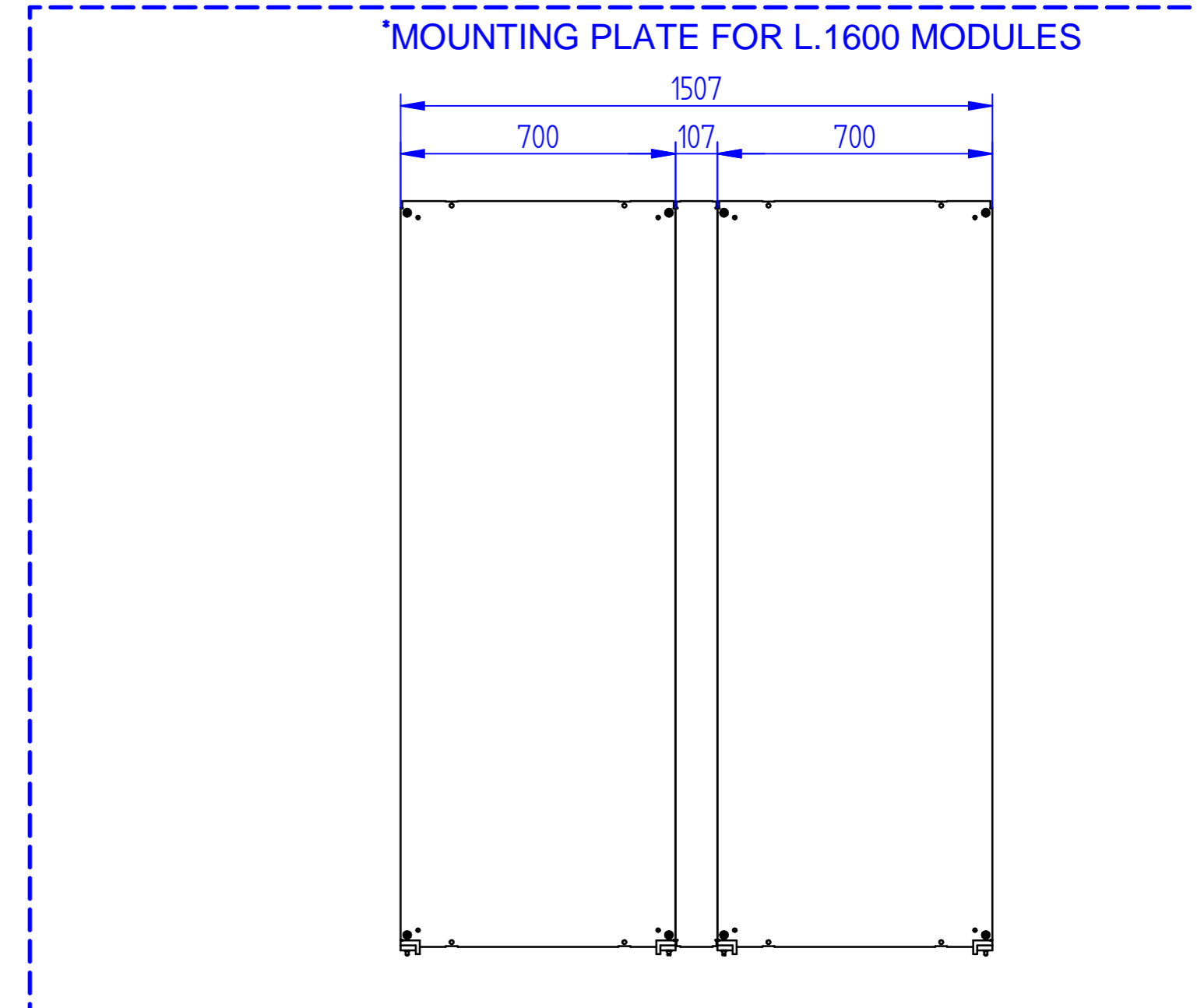
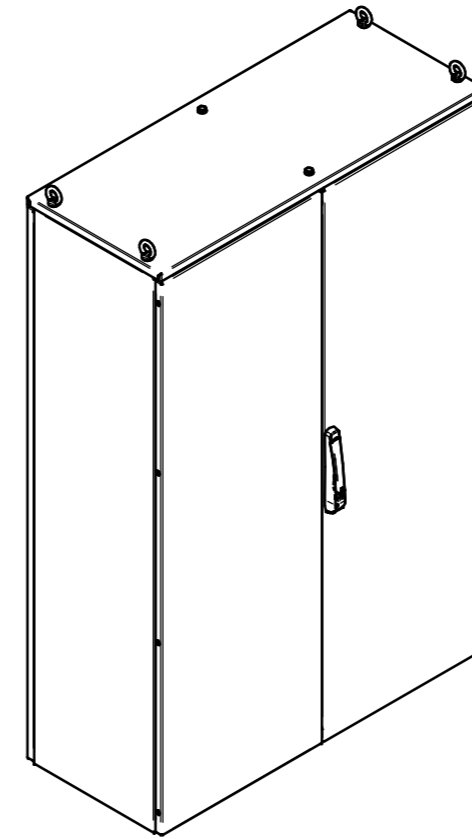
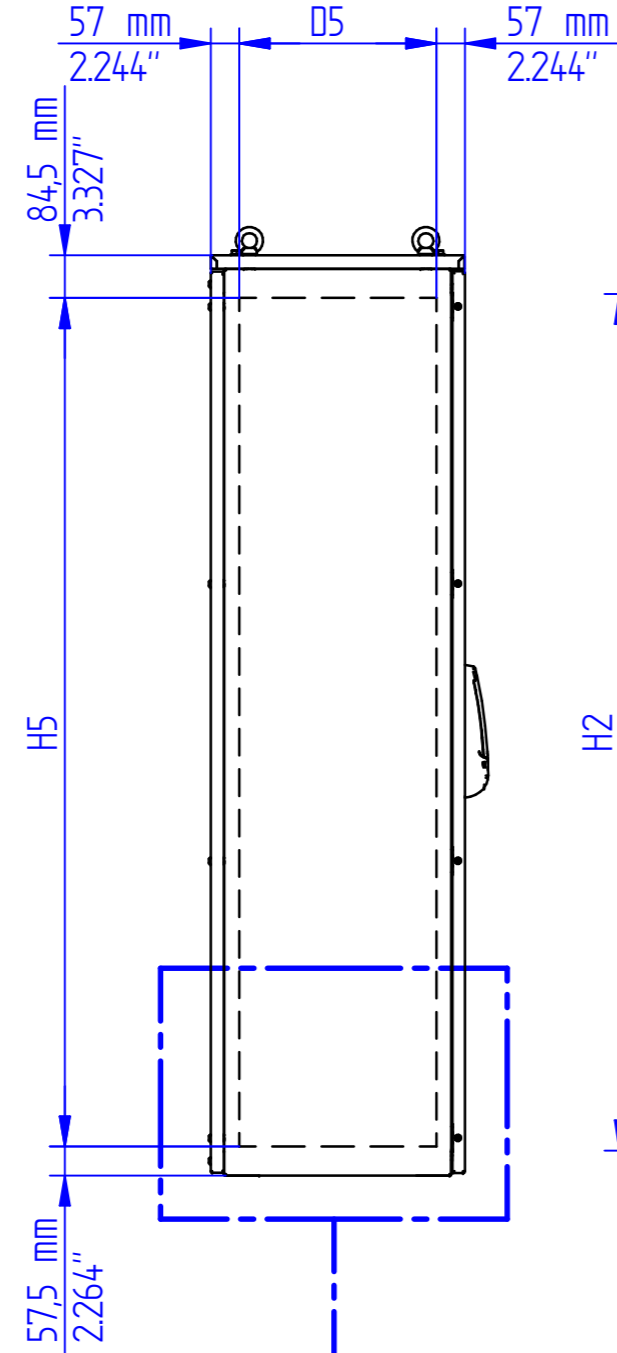
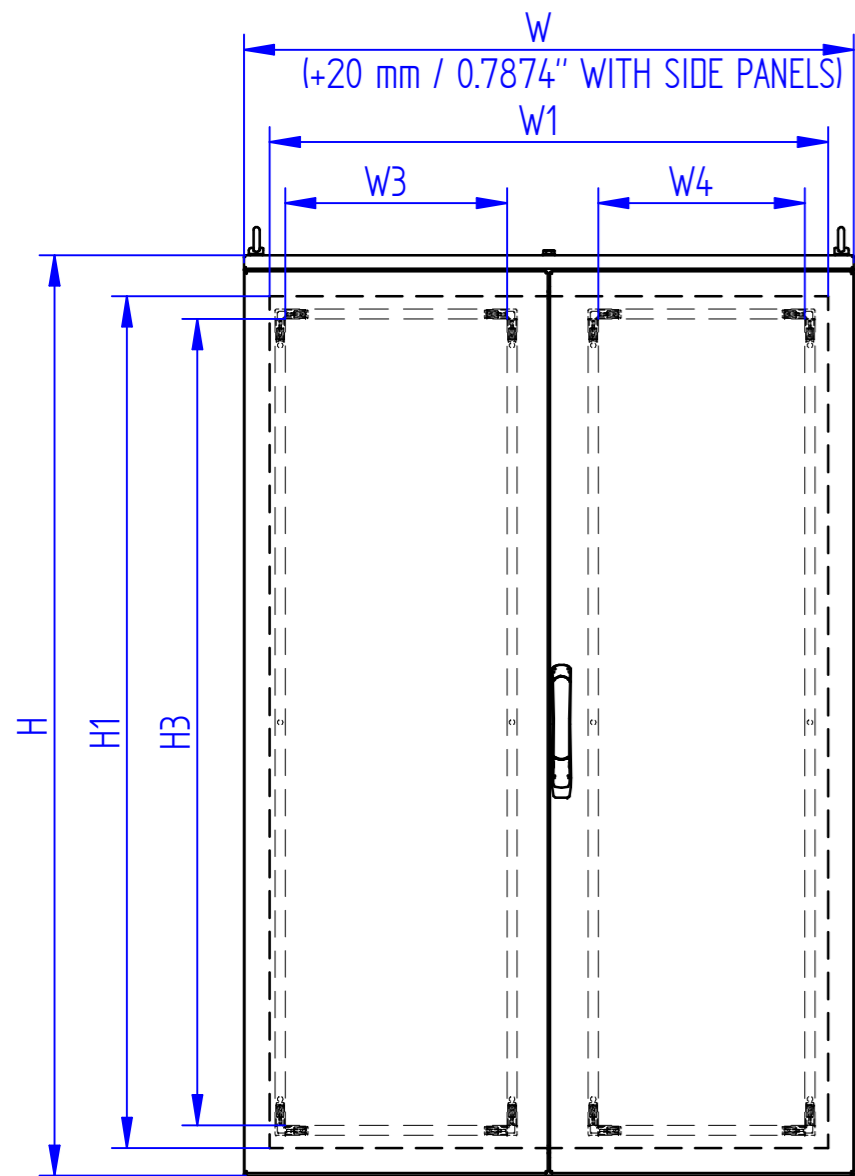
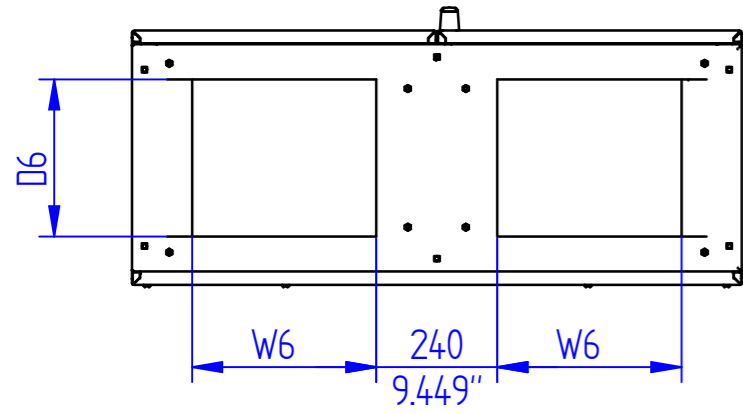


Description		<p>GENERAL SCHEME SCS CABINETS WITH ONE BLIND DOOR</p>		
<p>Technical Datasheet Code</p> <p>SCTEC.SCS.1PC.EN 00</p>				
Issue	Date 08/01/2025	<p>SHEET 1 OF 1</p>		<p>MPGAMMA</p> <p>WORLDWIDE</p>

MEDIUM-GRADE TOLERANCES AS PER STANDARD : ISO2768-m

2 BLIND DOORS

ITEM CODE	NOMINAL DIMENSIONS			ACTUAL DIMENSIONS			USABLE DIMENSIONS OF FRONTAL ENTRY		MOUNTING PLATE		USABLE DIMENSIONS FOR DOOR CUTOUTS			USABLE DIMENSIONS FOR SIDE PANEL CUTOUTS		USABLE DIMENSIONS FOR CABLE ENTRY		FROM FRONTAL INSERTION PLATE TO DOOR
	W	H	D	W	H	D	W1	H1	W2	H2	W3	W4	H3	H5	D5	W6	D6	D7
UNIT	mm / inch	mm / inch	mm / inch	mm / inch	mm / inch	mm / inch	mm / inch	mm / inch	mm / inch	mm / inch	mm / inch	mm / inch	mm / inch	mm / inch	mm / inch	mm / inch	mm / inch	mm / inch
SCS12018040_SM_N	1200 / 47.24	1800 / 70.87	400 / 15.748	1210 / 47.64	1827 / 71.93	403 / 15.866	1109 / 43.66	1700 / 66.93	1105 / 43.5	1700 / 66.93	440 / 17.323	410 / 16.142	1600 / 62.99	1685 / 66.34	290 / 11.417	366 / 14.41	210 / 8.268	307 / 12.087
SCS12018050_SM_N	1200 / 47.24	1800 / 70.87	500 / 19.685	1210 / 47.64	1827 / 71.93	503 / 19.803	1109 / 43.66	1700 / 66.93	1105 / 43.5	1700 / 66.93	440 / 17.323	410 / 16.142	1600 / 62.99	1685 / 66.34	390 / 15.354	366 / 14.41	310 / 12.205	407 / 16.024
SCS12020050_SM_N	1200 / 47.24	2000 / 78.74	500 / 19.685	1210 / 47.64	2027 / 79.8	503 / 19.803	1109 / 43.66	1900 / 74.8	1105 / 43.5	1900 / 74.8	440 / 17.323	410 / 16.142	1800 / 70.87	1885 / 74.21	390 / 15.354	366 / 14.41	310 / 12.205	407 / 16.024
VERSION WITH CENTRAL PILLAR																		
SCS16018040_N	1600 / 62.99	1800 / 70.87	400 / 15.748	1610 / 63.39	1827 / 71.93	403 / 15.866	1509 / 59.41	1700 / 66.93	1507* / 59.33*	1700 / 66.93	640 / 25.197	-	1600 / 62.99	1685 / 66.34	290 / 11.417	566 / 22.283	210 / 8.268	307 / 12.087
SCS16018050_N	1600 / 62.99	1800 / 70.87	500 / 19.685	1610 / 63.39	1827 / 71.93	503 / 19.803	1509 / 59.41	1700 / 66.93	1507* / 59.33*	1700 / 66.93	640 / 25.197	-	1600 / 62.99	1685 / 66.34	390 / 15.354	566 / 22.283	310 / 12.205	407 / 16.024
SCS16020050	1600 / 62.99	2000 / 78.74	500 / 19.685	1610 / 63.39	2027 / 79.8	503 / 19.803	1509 / 59.41	1900 / 74.8	1507* / 59.33*	1900 / 74.8	640 / 25.197	-	1800 / 70.87	1885 / 74.21	390 / 15.354	566 / 22.283	310 / 12.205	407 / 16.024



Description

GENERAL SCHEME SCS CABINETS WITH TWO BLIND DOORS

Technical Datasheet Code: **SCTEC.SCS.2PC.EN 00**

Ver. 00 Date 19/09/2025

SHEET 1 OF 1

MPGAMMA

WORLDWIDE

MEDIUM-GRADE TOLERANCES AS PER STANDARD : ISO2768-m