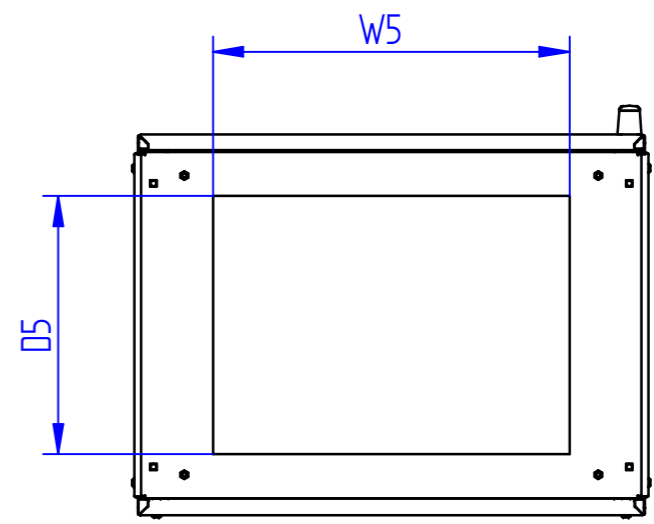
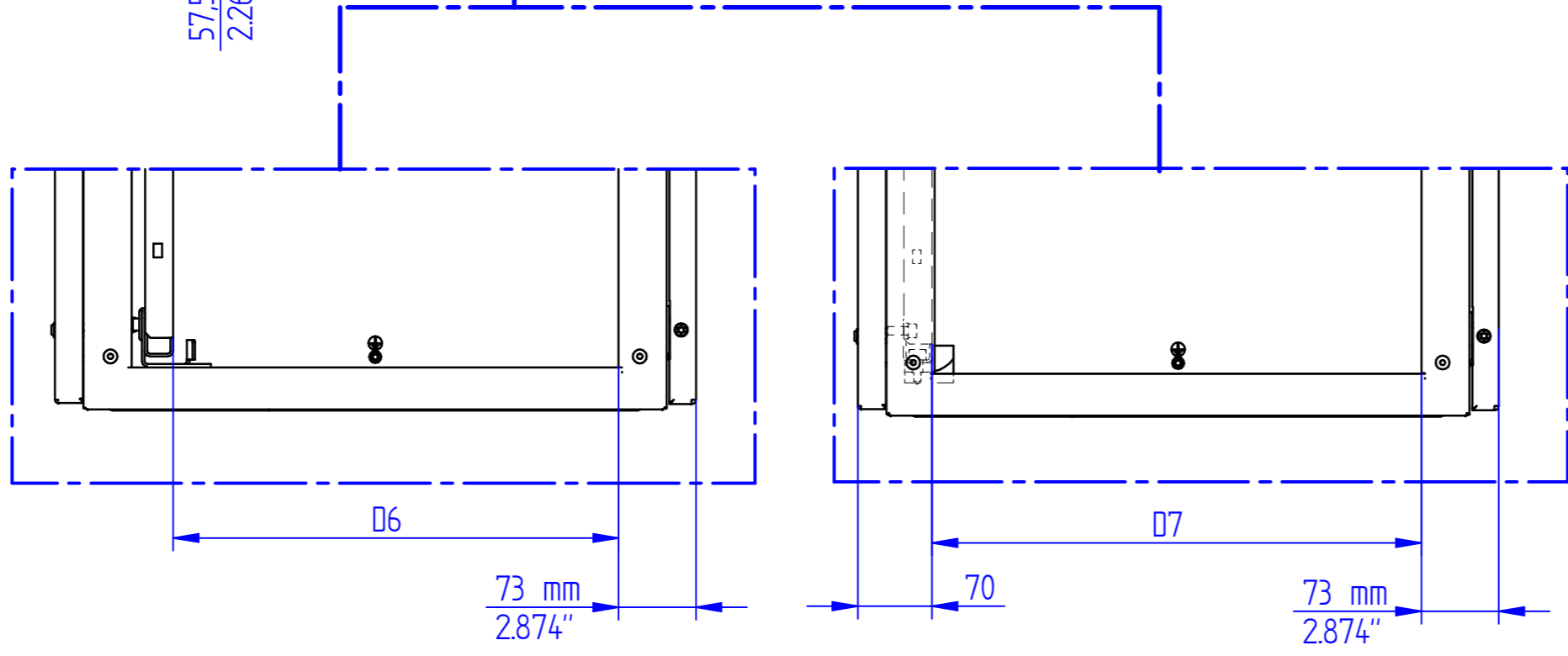
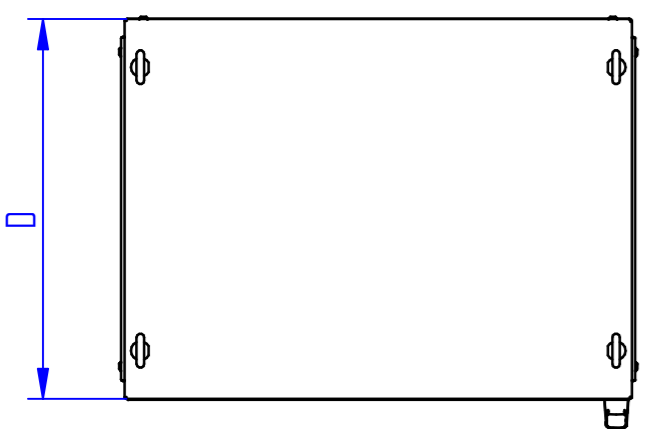
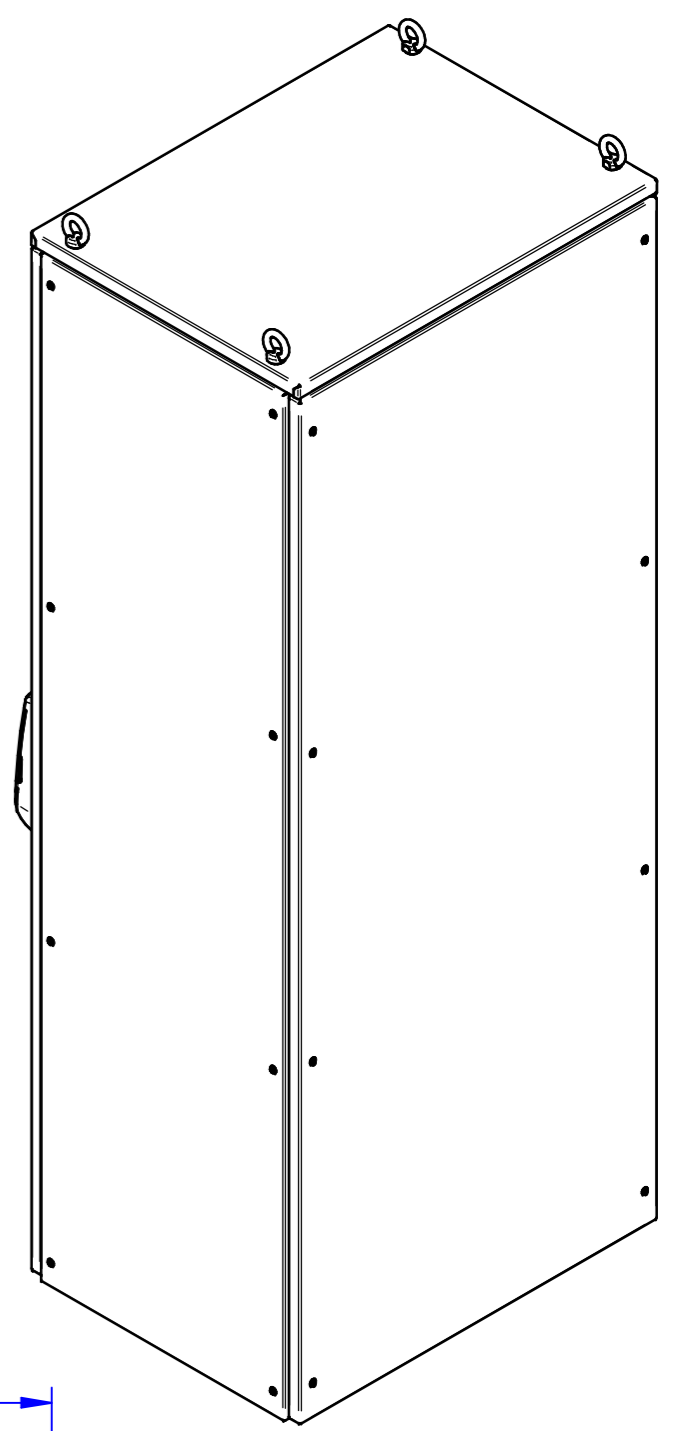
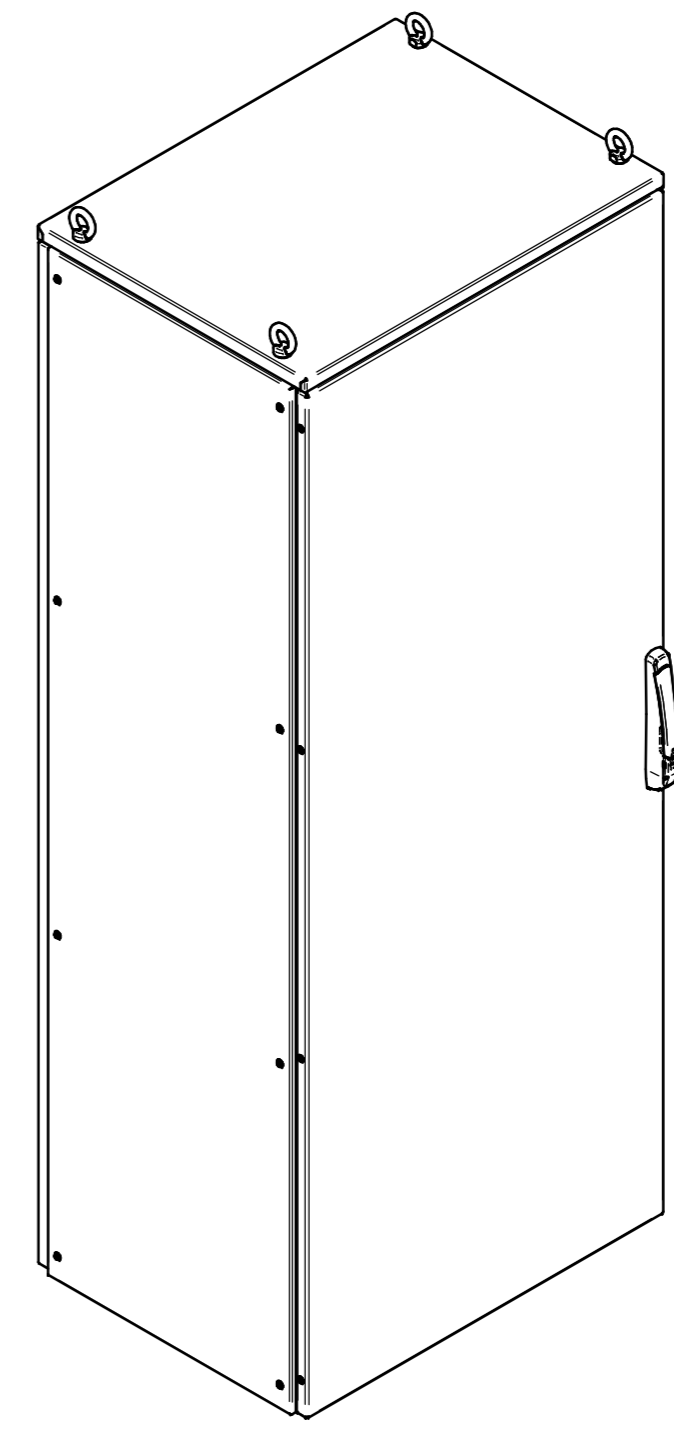
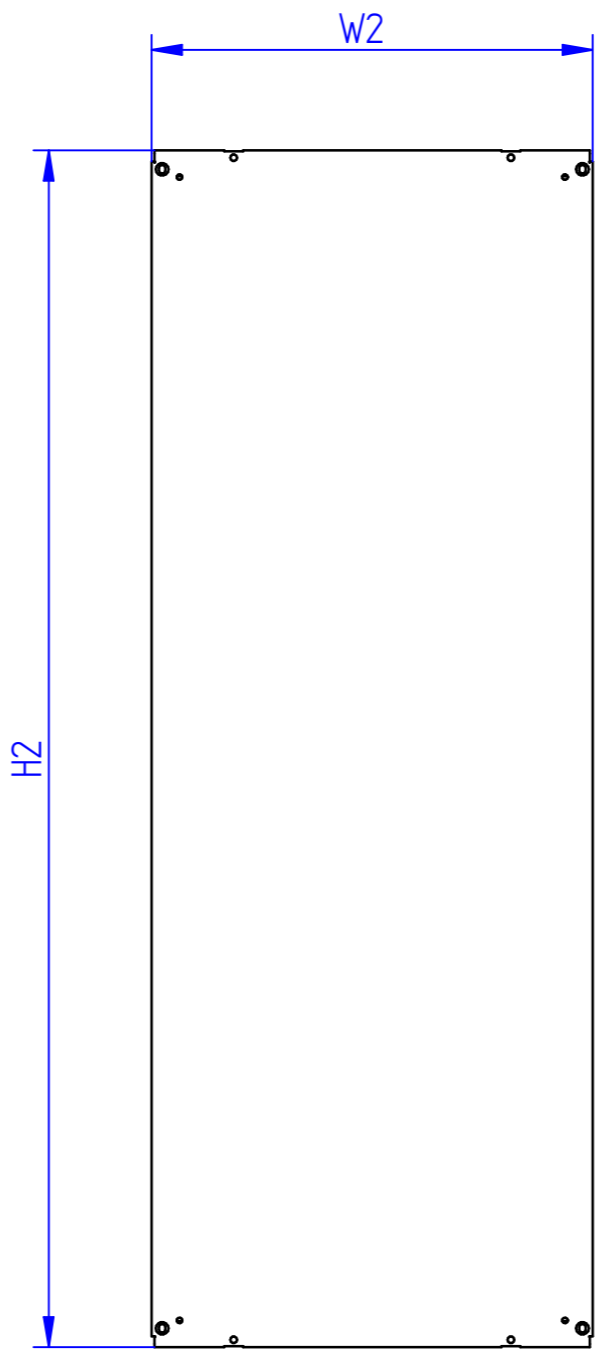
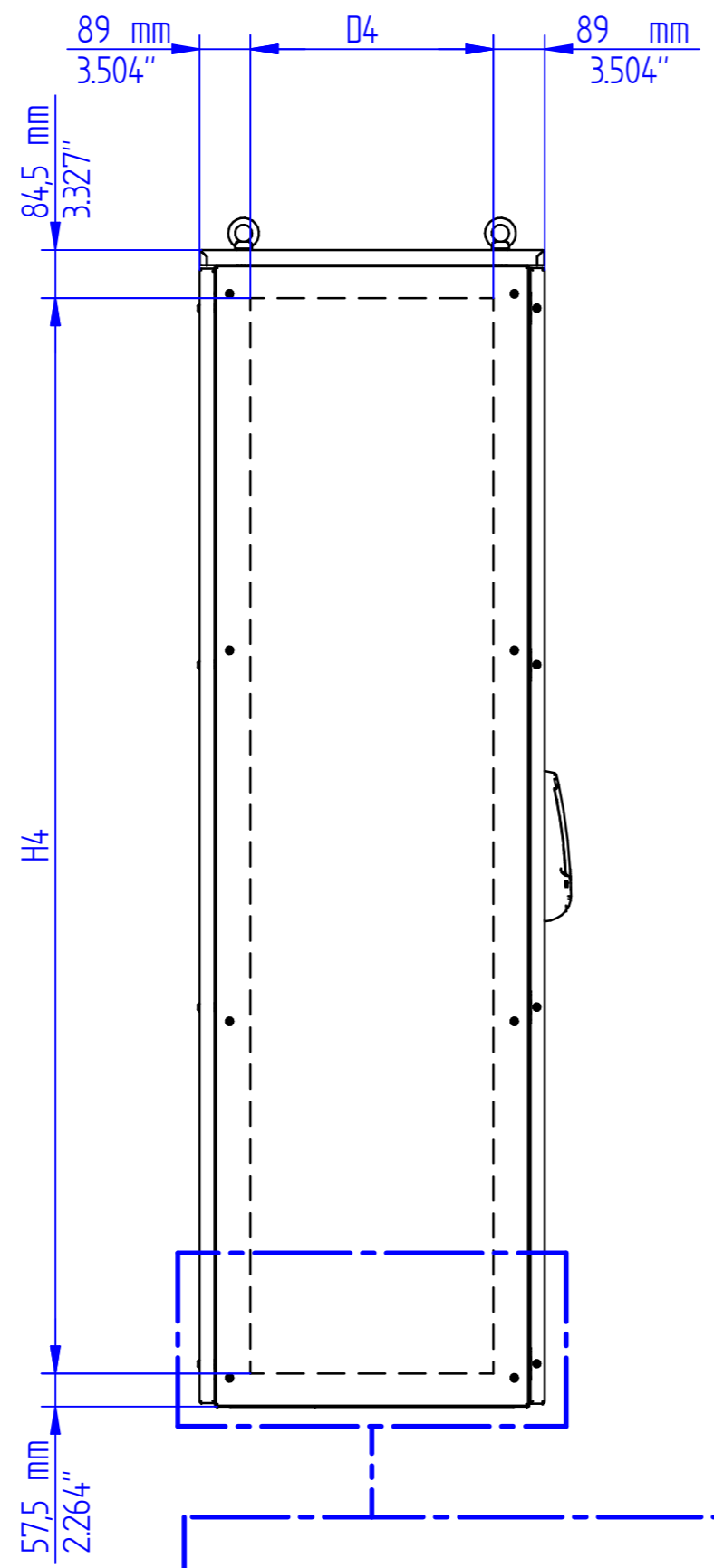
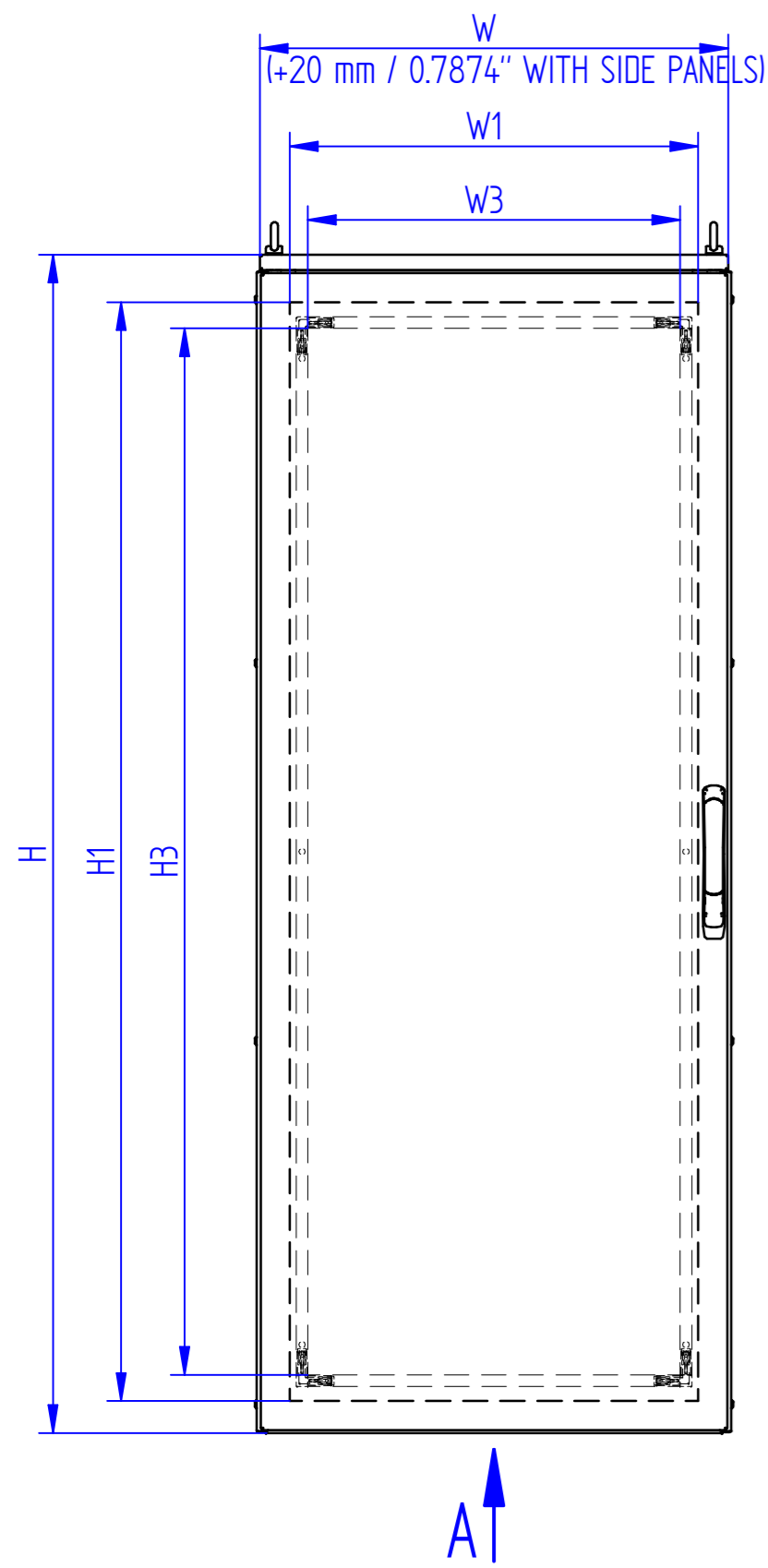


1 BLIND DOOR

ITEM CODE	NOMINAL DIMENSIONS			ACTUAL DIMENSIONS			USABLE DIMENSIONS OF FRONTAL ENTRY		MOUNTING PLATE		USABLE DIMENSIONS FOR DOOR CUTOUTS		USABLE DIMENSIONS FOR SIDE PANEL CUTOUTS		USABLE DIMENSIONS FOR CABLE ENTRY		FROM SIDE INSERTION PLATE TO UPRIGHT	FROM FRONTAL INSERTION PLATE TO DOOR
	W	H	D	W	H	D	W1	H1	W2	H2	W3	H3	H4	D4	W5	D5	D6	D7
UNIT	mm / inch	mm / inch	mm / inch	mm / inch	mm / inch	mm / inch	mm / inch	mm / inch	mm / inch	mm / inch	mm / inch	mm / inch	mm / inch	mm / inch	mm / inch	mm / inch	mm / inch	mm / inch
EMP6018050_N	600 / 23,62	1800 / 70,87	500 / 19,685	605 / 23,82	1827 / 71,93	503 / 19,803	504 / 19,843	1700 / 66,93	500 / 19,685	1700 / 66,93	440 / 17,323	1600 / 62,99	1685 / 66,34	325 / 12,795	366 / 14,41	310 / 12,205	320 / 12,598	362 / 14,252
EMP6020060_N	600 / 23,62	1800 / 70,87	600 / 23,62	605 / 23,82	2027 / 79,8	603 / 23,74	504 / 19,843	1900 / 74,8	500 / 19,685	1900 / 74,8	440 / 17,323	1800 / 70,87	1885 / 74,21	425 / 16,732	366 / 14,41	410 / 16,142	420 / 16,535	462 / 18,19
EMP8018050_N	800 / 31,496	1800 / 70,87	500 / 19,685	805 / 31,69	1827 / 71,93	503 / 19,803	704 / 27,717	1700 / 66,93	700 / 27,56	1700 / 66,93	640 / 25,197	1600 / 62,99	1685 / 66,34	325 / 12,795	566 / 22,283	310 / 12,205	320 / 12,598	362 / 14,252
EMP8018060_N	800 / 31,496	1800 / 70,87	600 / 23,62	805 / 31,69	1827 / 71,93	603 / 23,74	704 / 27,717	1700 / 66,93	700 / 27,56	1700 / 66,93	640 / 25,197	1600 / 62,99	1685 / 66,34	425 / 16,732	566 / 22,283	410 / 16,142	420 / 16,535	462 / 18,19
EMP8018080_N	800 / 31,496	1800 / 70,87	800 / 31,496	805 / 31,69	1827 / 71,93	803 / 31,614	704 / 27,717	1700 / 66,93	700 / 27,56	1700 / 66,93	640 / 25,197	1600 / 62,99	1685 / 66,34	625 / 24,606	566 / 22,283	610 / 24,016	620 / 24,41	662 / 26,063
EMP8020050_N	800 / 31,496	1800 / 70,87	500 / 19,685	805 / 31,69	2027 / 79,8	503 / 19,803	704 / 27,717	1900 / 74,8	700 / 27,56	1900 / 74,8	640 / 25,197	1800 / 70,87	1885 / 74,21	325 / 12,795	566 / 22,283	310 / 12,205	320 / 12,598	362 / 14,252
EMP8020060_N	800 / 31,496	1800 / 70,87	600 / 23,62	805 / 31,69	2027 / 79,8	603 / 23,74	704 / 27,717	1900 / 74,8	700 / 27,56	1900 / 74,8	640 / 25,197	1800 / 70,87	1885 / 74,21	425 / 16,732	566 / 22,283	410 / 16,142	420 / 16,535	462 / 18,19
EMP8020080_N	800 / 31,496	1800 / 70,87	800 / 31,496	805 / 31,69	2027 / 79,8	803 / 31,614	704 / 27,717	1900 / 74,8	700 / 27,56	1900 / 74,8	640 / 25,197	1800 / 70,87	1885 / 74,21	625 / 24,606	566 / 22,283	610 / 24,016	620 / 24,41	662 / 26,063



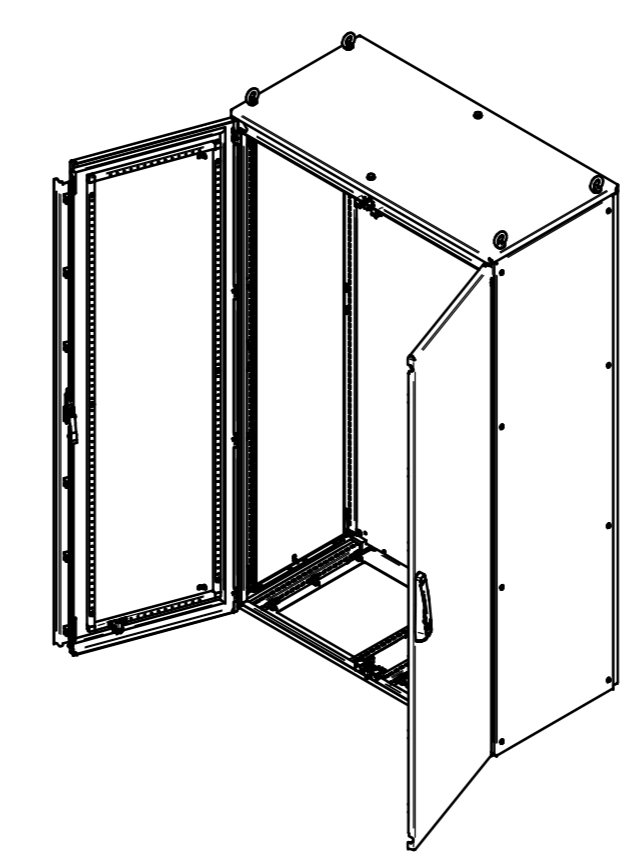
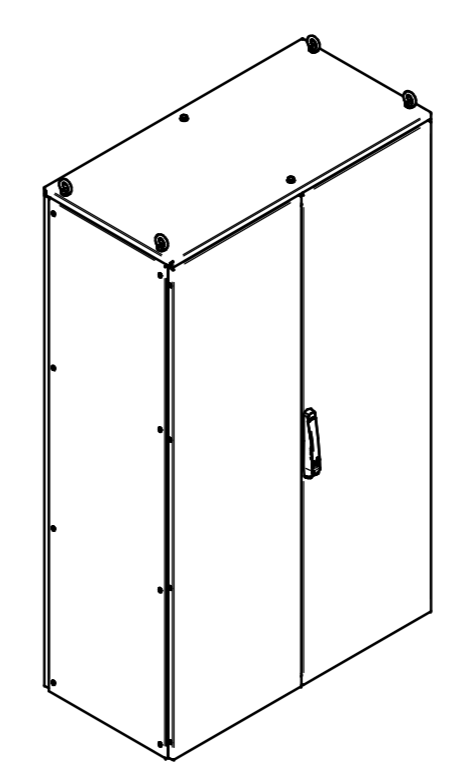
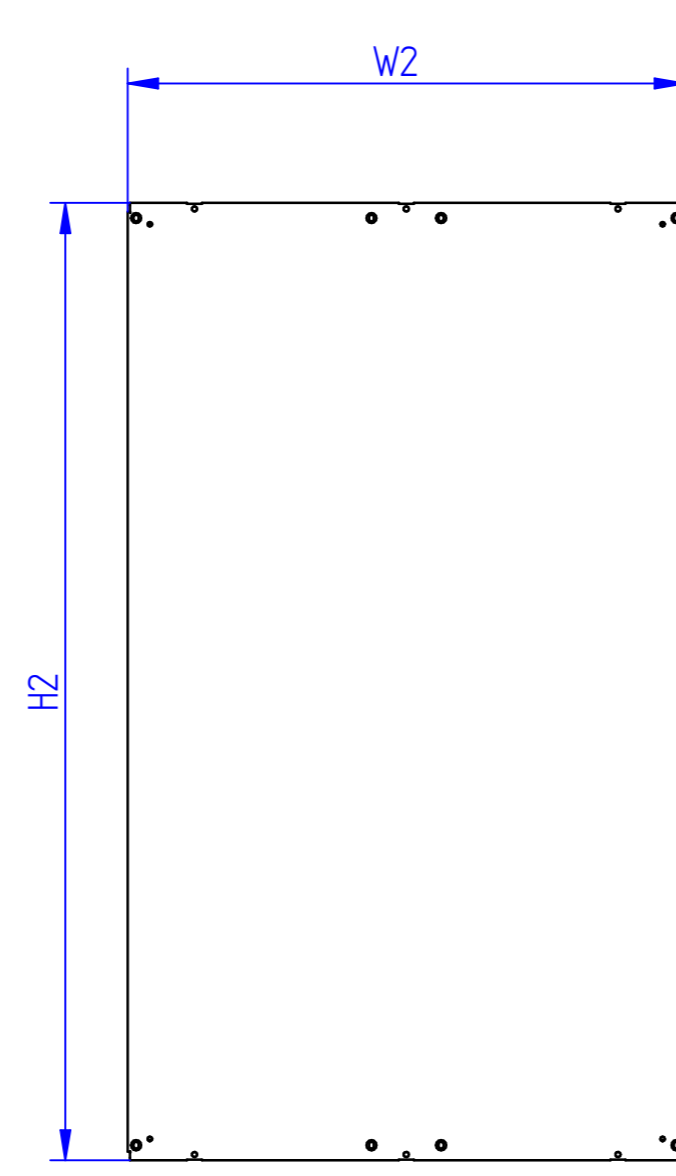
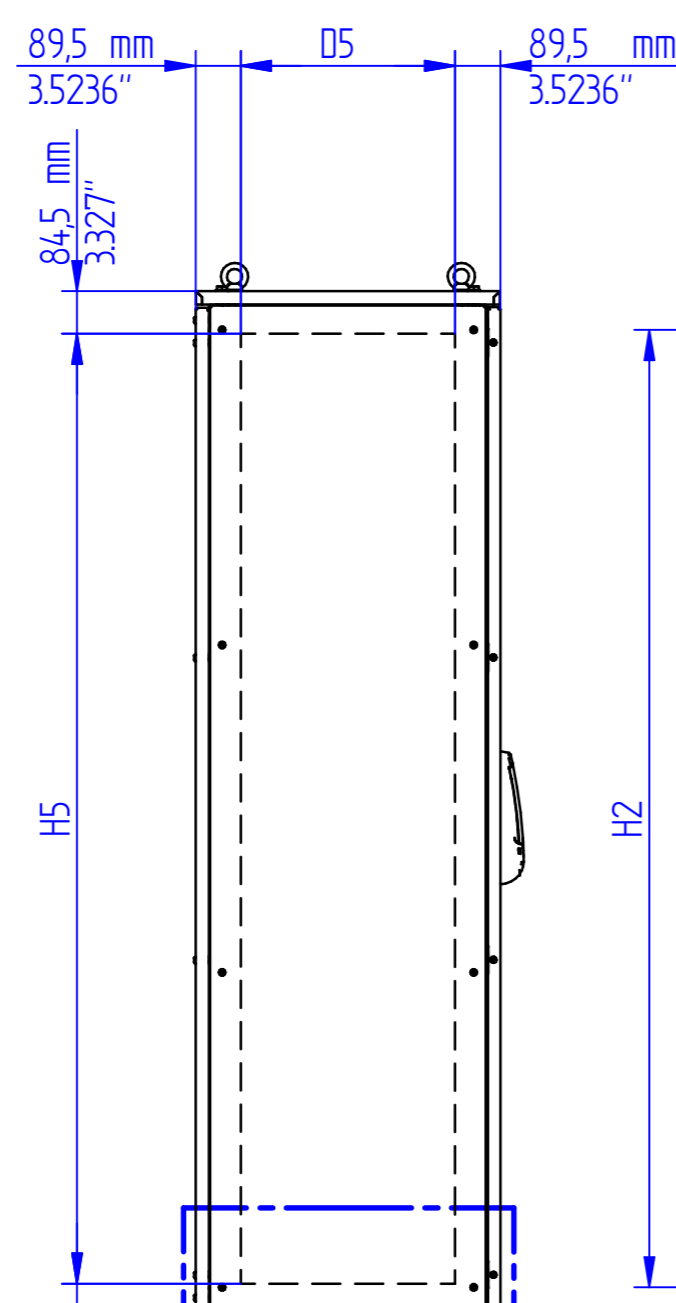
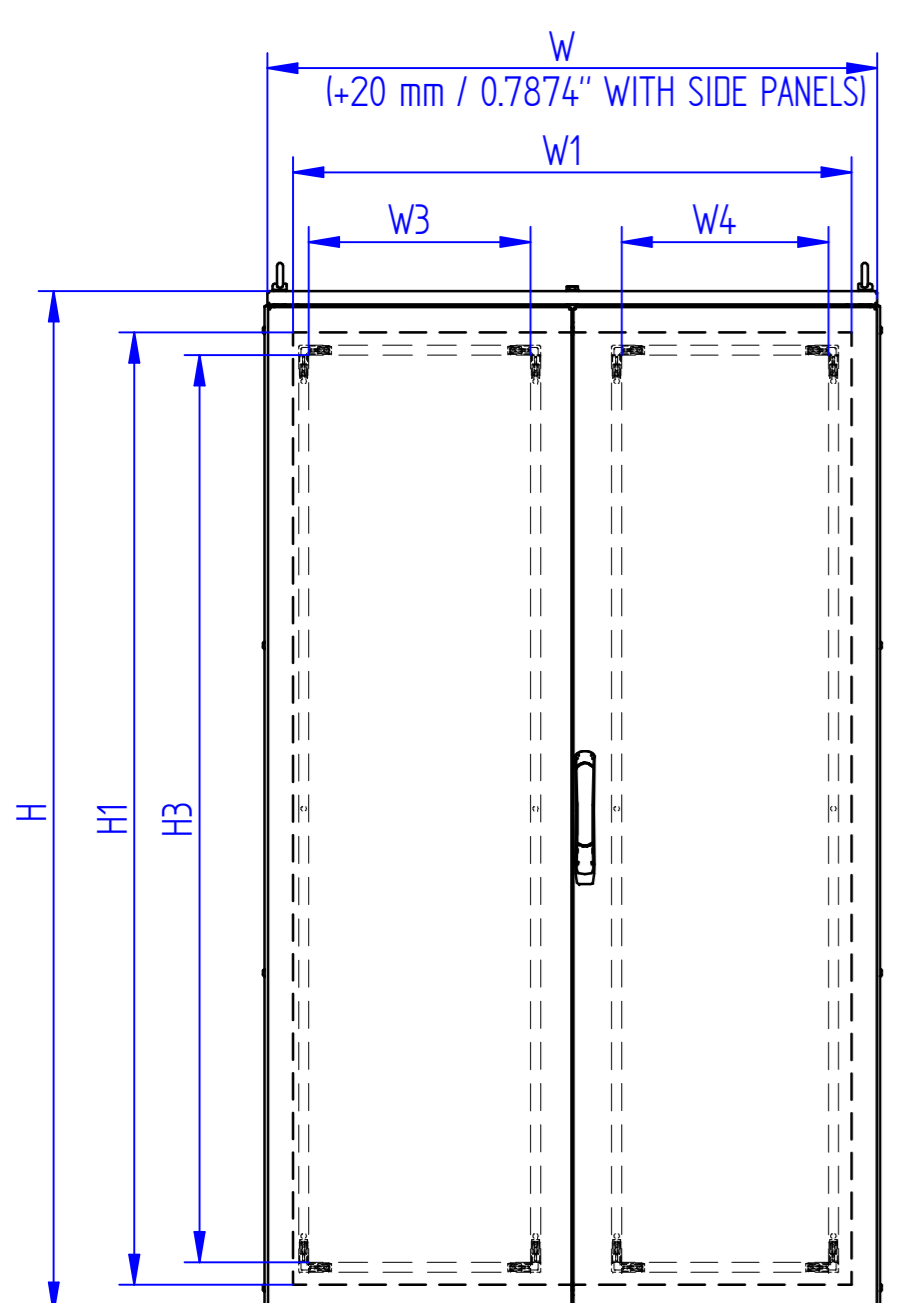
VIEW A

Description		<p>GENERAL SCHEME EMP CABINETS WITH ONE BLIND DOOR</p>		
<p>Technical Date Sheet Code</p> <p>SCTEC.EMP.1PC.EN 00</p>				
		<p>SHEET 1 OF 1</p>		

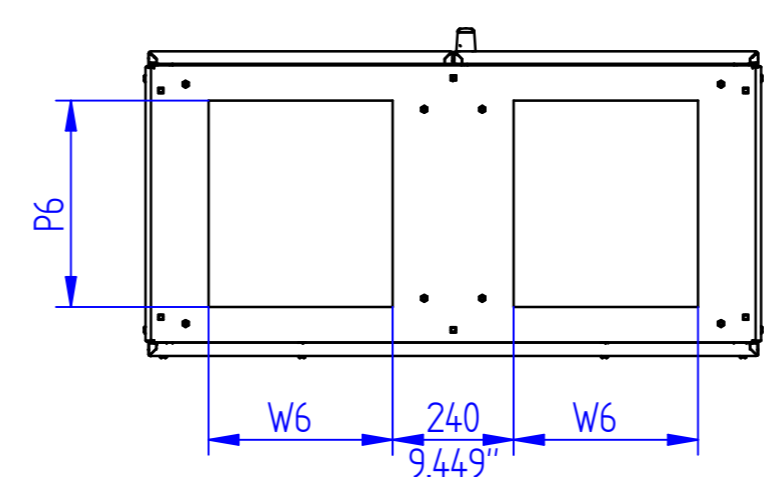
MEDIUM-GRADE TOLERANCES AS PER STANDARD : ISO2768-m

2 BLIND DOORS

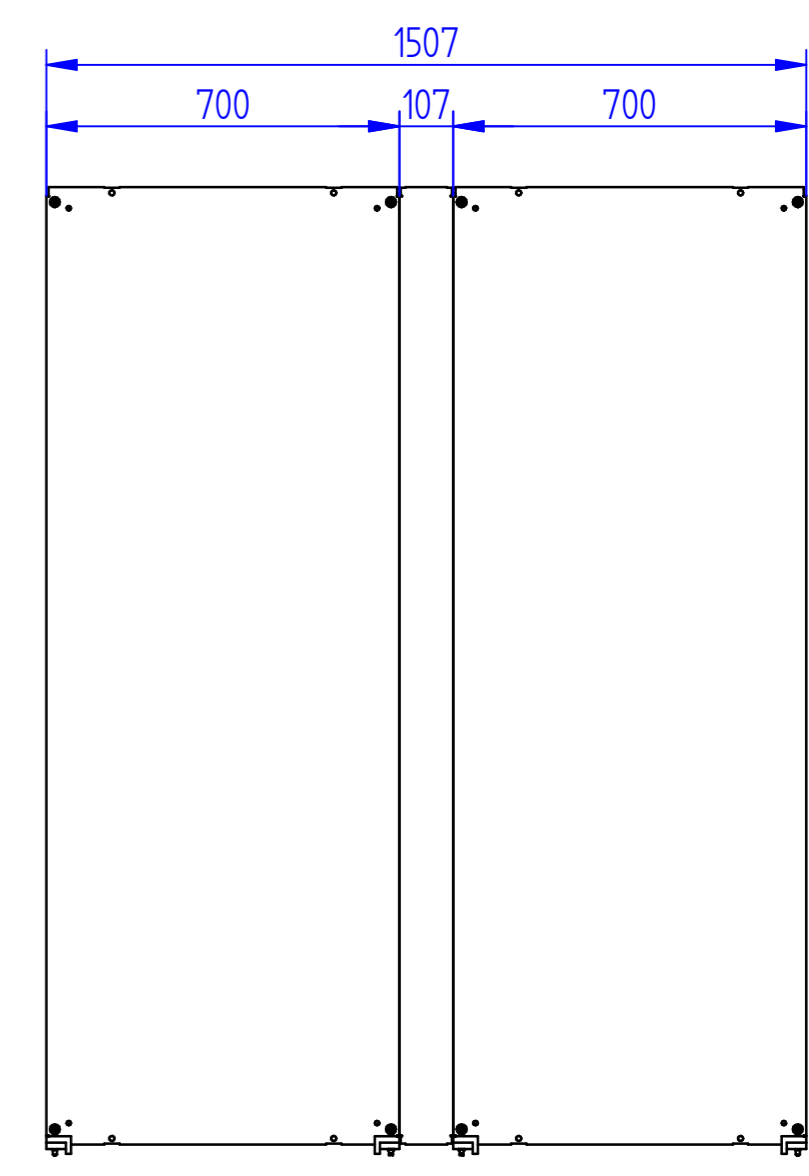
ITEM CODE	NOMINAL DIMENSIONS			ACTUAL DIMENSIONS			USABLE DIMENSIONS OF FRONTAL ENTRY		MOUNTING PLATE		USABLE DIMENSIONS FOR DOOR CUTOUTS			USABLE DIMENSIONS FOR SIDE PANEL CUTOUTS		USABLE DIMENSIONS FOR CABLE ENTRY		FROM SIDE INSERTION PLATE TO UPRIGHT	FROM FRONTAL INSERTION PLATE TO DOOR
	W	H	D	W	H	D	W1	H1	W2	H2	W3	W4	H3	H5	D5	W6	D6	D7	D8
UNIT	mm/ inch	mm/ inch	mm/ inch	mm/ inch	mm/ inch	mm/ inch	mm/ inch	mm/ inch	mm/ inch	mm/ inch	mm/ inch	mm/ inch	mm/ inch	mm/ inch	mm/ inch	mm/ inch	mm/ inch	mm/ inch	mm/ inch
EMP12018050_N	1200 / 47.24	1800 / 70.87	500 / 19.685	1210 / 47.64	1827 / 71.93	503 / 19.803	1109 / 43.66	1700 / 66.93	1105 / 43.5	1700 / 66.93	440 / 17.323	410 / 16.142	1600 / 62.99	1685 / 66.34	325 / 12.795	366 / 14.41	310 / 12.205	320 / 12.598	362 / 14.252
EMP12020060_N	1200 / 47.24	2000 / 78.74	600 / 23.62	1210 / 47.64	2027 / 79.8	603 / 23.74	1109 / 43.66	1900 / 74.8	1105 / 43.5	1900 / 74.8	440 / 17.323	410 / 16.142	1800 / 70.87	1885 / 74.21	425 / 16.732	366 / 14.41	410 / 16.142	420 / 16.535	462 / 18.19
VERSION WITH CENTRAL PILLAR																			
EMP12018050CM_N	1200 / 47.24	1800 / 70.87	500 / 19.685	1210 / 47.64	1827 / 71.93	503 / 19.803	1109 / 43.66	1700 / 66.93	1105 / 43.5	1700 / 66.93	440 / 17.323	-	1600 / 62.99	1685 / 66.34	325 / 12.795	366 / 14.41	310 / 12.205	320 / 12.598	362 / 14.252
EMP12020060CM_N	1200 / 47.24	2000 / 78.74	600 / 23.62	1210 / 47.64	2027 / 79.8	603 / 23.74	1109 / 43.66	1900 / 74.8	1105 / 43.5	1900 / 74.8	440 / 17.323	-	1800 / 70.87	1885 / 74.21	425 / 16.732	366 / 14.41	410 / 16.142	420 / 16.535	462 / 18.19
EMP16018050_N	1600 / 62.99	1800 / 70.87	500 / 19.685	1610 / 63.39	1827 / 71.93	503 / 19.803	1509 / 59.41	1700 / 66.93	1507* / 59.33*	1700 / 66.93	640 / 25.197	-	1600 / 62.99	1685 / 66.34	325 / 12.795	566 / 22.283	310 / 12.205	320 / 12.598	362 / 14.252
EMP16018060_N	1600 / 62.99	1800 / 70.87	600 / 23.62	1610 / 63.39	1827 / 71.93	603 / 23.74	1509 / 59.41	1700 / 66.93	1507* / 59.33*	1700 / 66.93	640 / 25.197	-	1600 / 62.99	1685 / 66.34	425 / 16.732	566 / 22.283	410 / 16.142	420 / 16.535	462 / 18.19
EMP16018080_N	1600 / 62.99	1800 / 70.87	800 / 31.496	1610 / 63.39	1827 / 71.93	803 / 31.614	1509 / 59.41	1700 / 66.93	1507* / 59.33*	1700 / 66.93	640 / 25.197	-	1600 / 62.99	1685 / 66.34	625 / 24.606	566 / 22.283	610 / 24.016	620 / 24.41	662 / 26.063
EMP16020050_N	1600 / 62.99	2000 / 78.74	500 / 19.685	1610 / 63.39	2027 / 79.8	503 / 19.803	1509 / 59.41	1900 / 74.8	1507* / 59.33*	1900 / 74.8	640 / 25.197	-	1800 / 70.87	1885 / 74.21	325 / 12.795	566 / 22.283	310 / 12.205	320 / 12.598	362 / 14.252
EMP16020060_N	1600 / 62.99	2000 / 78.74	600 / 23.62	1610 / 63.39	2027 / 79.8	603 / 23.74	1509 / 59.41	1900 / 74.8	1507* / 59.33*	1900 / 74.8	640 / 25.197	-	1800 / 70.87	1885 / 74.21	425 / 16.732	566 / 22.283	410 / 16.142	420 / 16.535	462 / 18.19
EMP16020080_N	1600 / 62.99	2000 / 78.74	800 / 31.496	1610 / 63.39	2027 / 79.8	803 / 31.614	1509 / 59.41	1900 / 74.8	1507* / 59.33*	1900 / 74.8	640 / 25.197	-	1800 / 70.87	1885 / 74.21	625 / 24.606	566 / 22.283	610 / 24.016	620 / 24.41	662 / 26.063



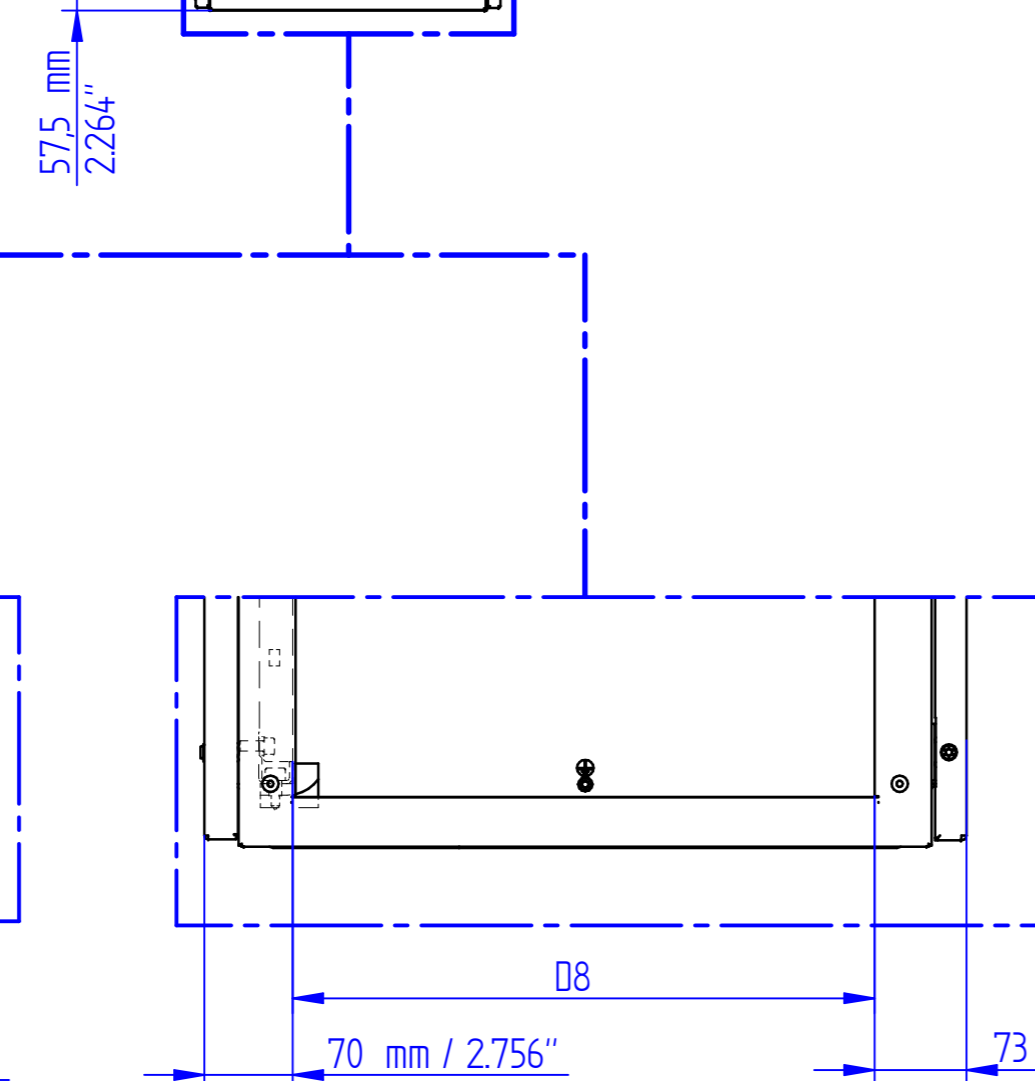
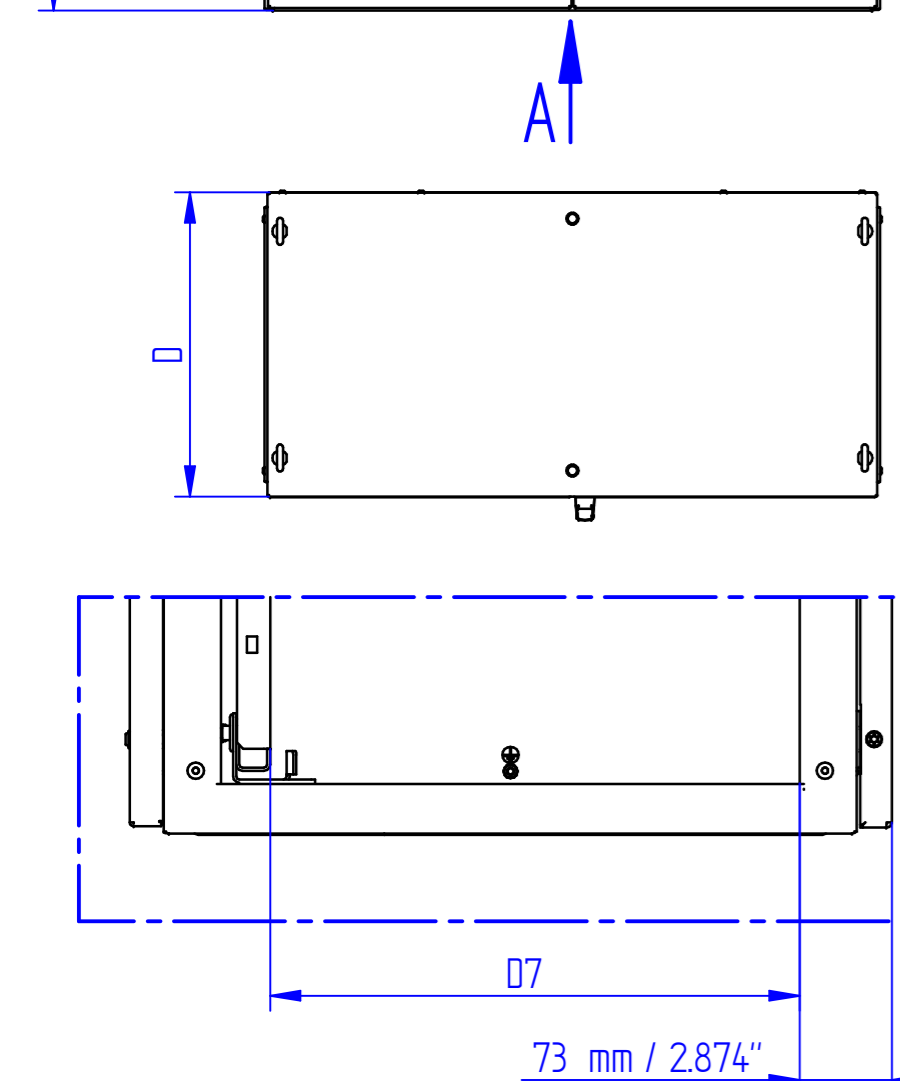
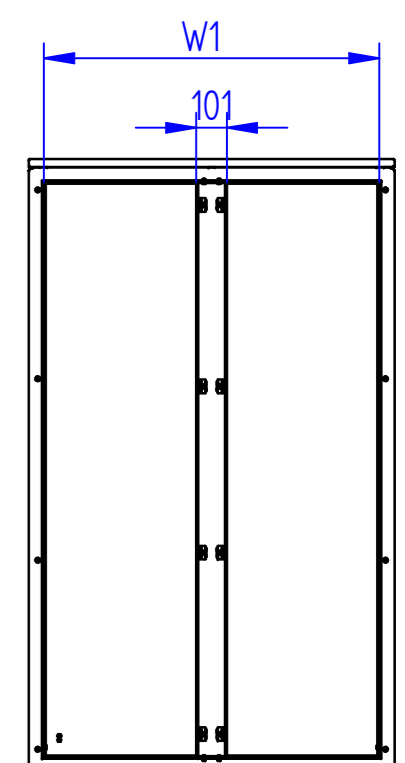
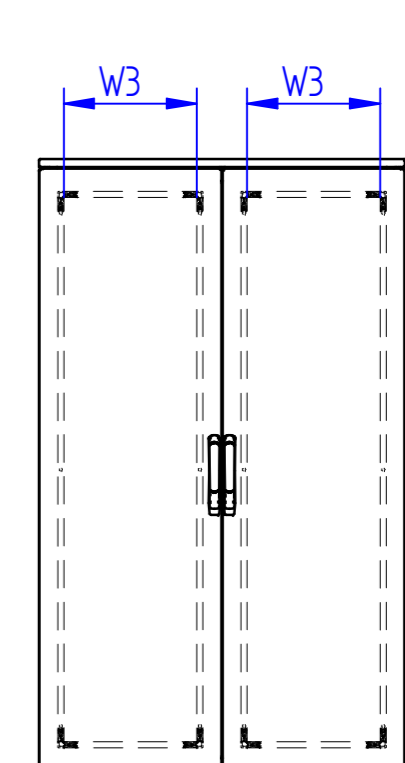
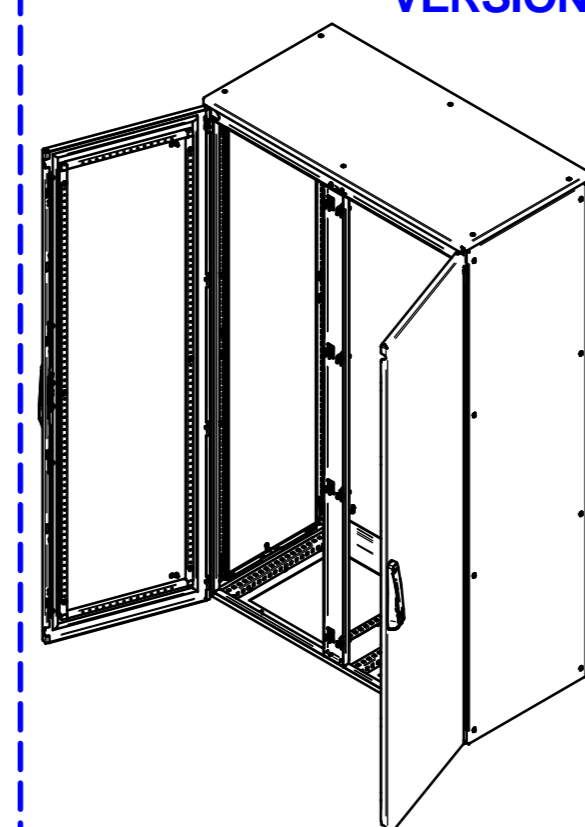
VIEW A



MOUNTING PLATE FOR L.1600 MODULES



VERSION WITH REMOVABLE CENTRAL PILLAR



Description		GENERAL SCHEME EMP CABINETS WITH TWO BLIND DOORS		
	Technical Date Sheet Code	Issue	Date 19/09/2025	
SCTEC.EMP.2PC.EN 00		SHEET 1 OF 1		

MEDIUM-GRADE TOLERANCES AS PER STANDARD : ISO2768-m