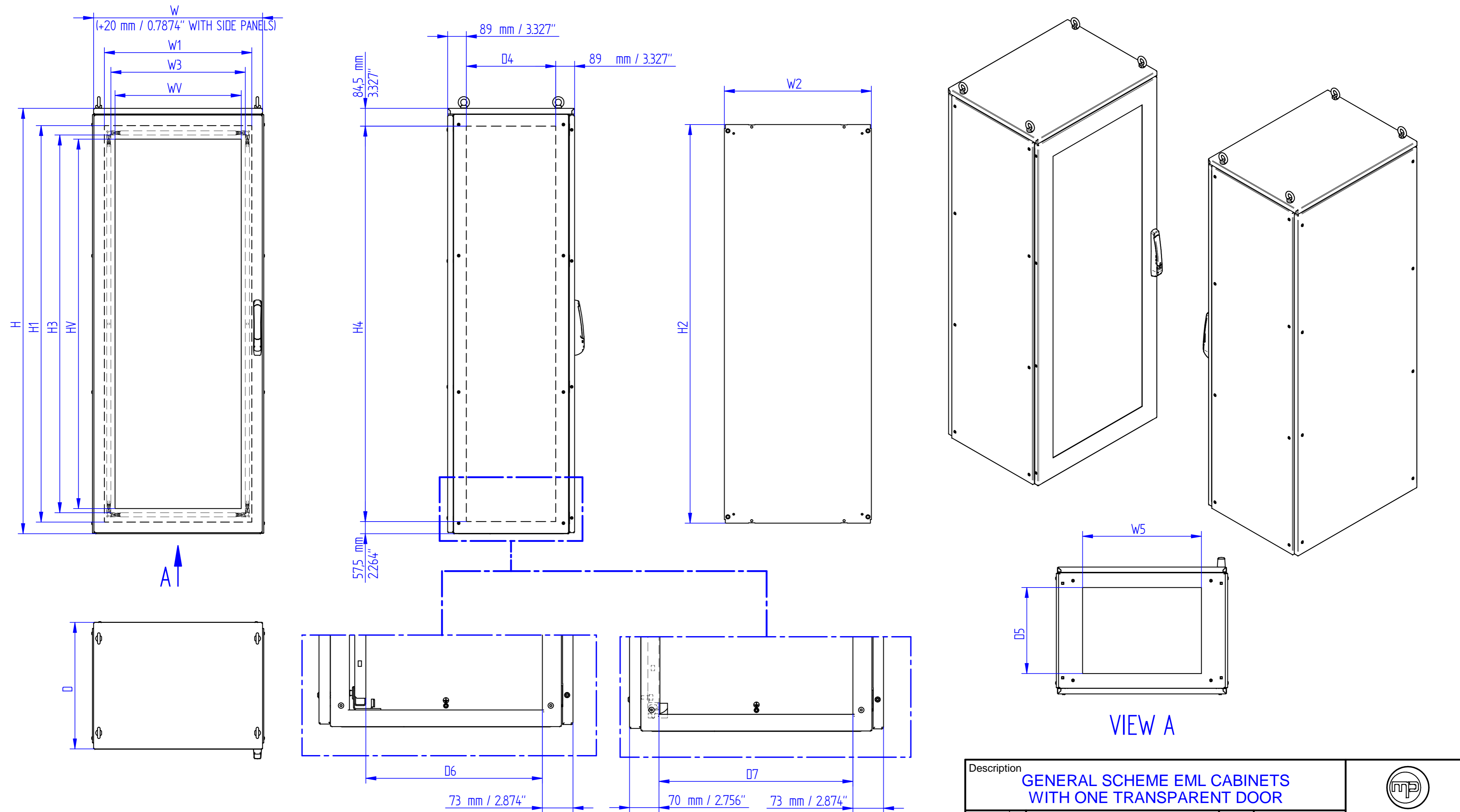


1 TRANSPARENT DOOR

ITEM CODE	NOMINAL DIMENSIONS			ACTUAL DIMENSIONS			TRANSPARENT DOOR PANEL		USABLE DIMENSIONS OF FRONTAL ENTRY		MOUNTING PLATE		USABLE DIMENSIONS FOR DOOR CUTOUTS		USABLE DIMENSIONS FOR SIDE PANEL CUTOUTS		USABLE DIMENSIONS FOR CABLE ENTRY		FROM SIDE INSERTION PLATE TO UPRIGHT	FROM FRONTAL INSERTION PLATE TO DOOR	
	UNIT	W mm / inch	H mm / inch	D mm / inch	W mm / inch	H mm / inch	D mm / inch	WW mm / inch	HV mm / inch	W1 mm / inch	H1 mm / inch	W2 mm / inch	H2 mm / inch	W3 mm / inch	H3 mm / inch	H4 mm / inch	D4 mm / inch	W5 mm / inch	D5 mm / inch	D6 mm / inch	D7 mm / inch
EML6018050_N		600 / 23,62	1800 / 70,87	500 / 19,685	605 / 23,82	1827 / 71,93	503 / 19,803	400 / 15,748	1560 / 61,42	504 / 19,843	1700 / 66,93	500 / 19,685	1700 / 66,93	440 / 17,323	1600 / 62,99	1685 / 66,34	325 / 12,795	366 / 14,41	310 / 12,205	320 / 12,598	362 / 14,252
EML6020060_N		600 / 23,62	2000 / 78,74	600 / 23,62	605 / 23,82	2027 / 79,8	603 / 23,74	400 / 15,748	1760 / 69,29	504 / 19,843	1900 / 74,8	500 / 19,685	1900 / 74,8	440 / 17,323	1800 / 70,87	1885 / 74,21	425 / 16,732	366 / 14,41	410 / 16,142	420 / 16,535	462 / 18,19
EML8018050_N		800 / 31,496	1800 / 70,87	500 / 19,685	805 / 31,69	1827 / 71,93	503 / 19,803	600 / 23,62	1560 / 61,42	704 / 27,717	1700 / 66,93	700 / 27,56	1700 / 66,93	640 / 25,197	1600 / 62,99	1685 / 66,34	325 / 12,795	566 / 22,283	310 / 12,205	320 / 12,598	362 / 14,252
EML8018060_N		800 / 31,496	1800 / 70,87	600 / 23,62	805 / 31,69	1827 / 71,93	603 / 23,74	600 / 23,62	1560 / 61,42	704 / 27,717	1700 / 66,93	700 / 27,56	1700 / 66,93	640 / 25,197	1600 / 62,99	1685 / 66,34	425 / 16,732	566 / 22,283	410 / 16,142	420 / 16,535	462 / 18,19
EML8018080_N		800 / 31,496	1800 / 70,87	800 / 31,496	805 / 31,69	1827 / 71,93	803 / 31,614	600 / 23,62	1560 / 61,42	704 / 27,717	1700 / 66,93	700 / 27,56	1700 / 66,93	640 / 25,197	1600 / 62,99	1685 / 66,34	625 / 24,606	566 / 22,283	610 / 24,016	620 / 24,41	662 / 26,063
EML8020050_N		800 / 31,496	2000 / 78,74	500 / 19,685	805 / 31,69	2027 / 79,8	503 / 19,803	600 / 23,62	1760 / 69,29	704 / 27,717	1900 / 74,8	700 / 27,56	1900 / 74,8	640 / 25,197	1800 / 70,87	1885 / 74,21	325 / 12,795	566 / 22,283	310 / 12,205	320 / 12,598	362 / 14,252
EML8020060_N		800 / 31,496	2000 / 78,74	600 / 23,62	805 / 31,69	2027 / 79,8	603 / 23,74	600 / 23,62	1760 / 69,29	704 / 27,717	1900 / 74,8	700 / 27,56	1900 / 74,8	640 / 25,197	1800 / 70,87	1885 / 74,21	425 / 16,732	566 / 22,283	410 / 16,142	420 / 16,535	462 / 18,19
EML8020080_N		800 / 31,496	2000 / 78,74	800 / 31,496	805 / 31,69	2027 / 79,8	803 / 31,614	600 / 23,62	1760 / 69,29	704 / 27,717	1900 / 74,8	700 / 27,56	1900 / 74,8	640 / 25,197	1800 / 70,87	1885 / 74,21	625 / 24,606	566 / 22,283	610 / 24,016	620 / 24,41	662 / 26,063



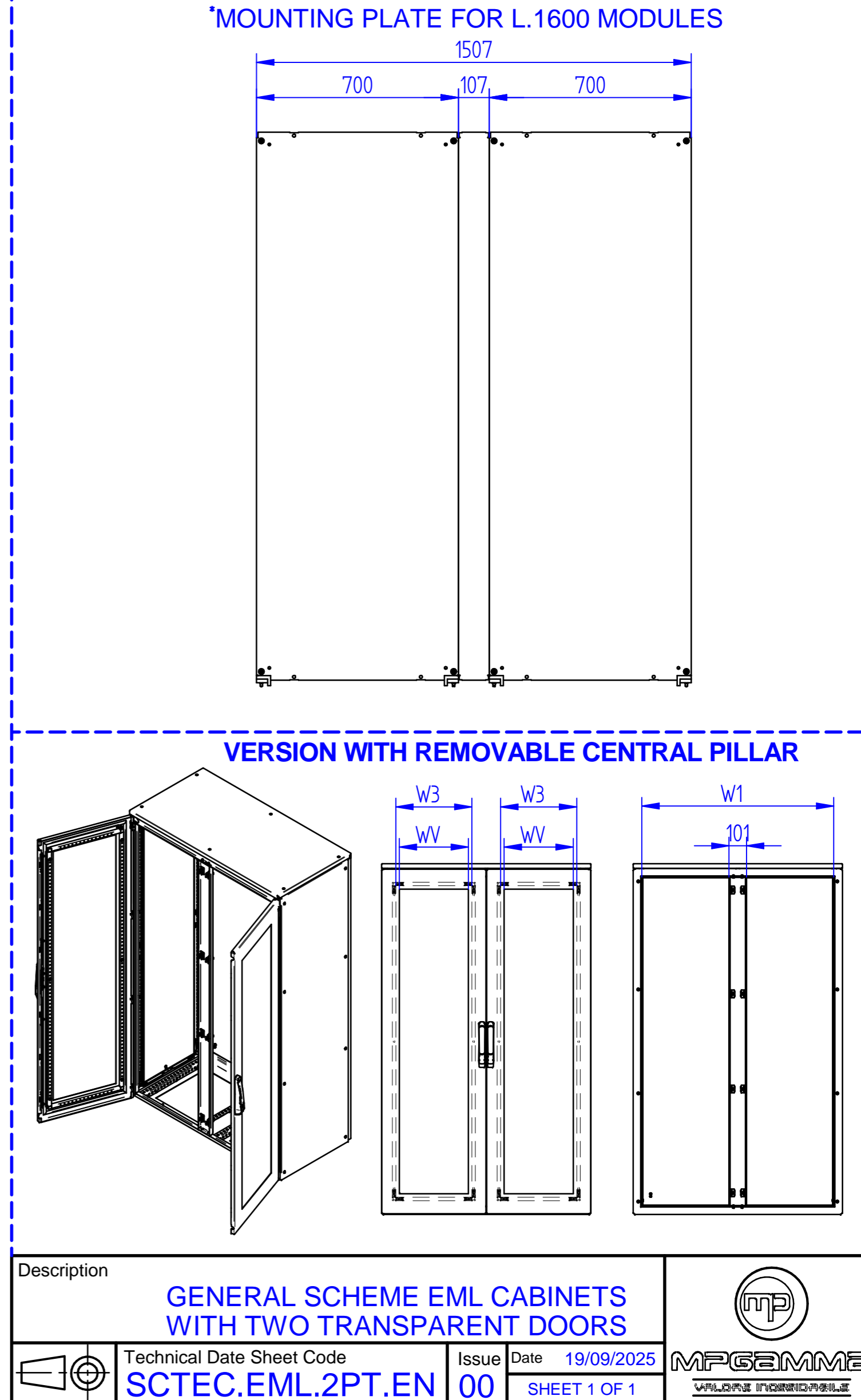
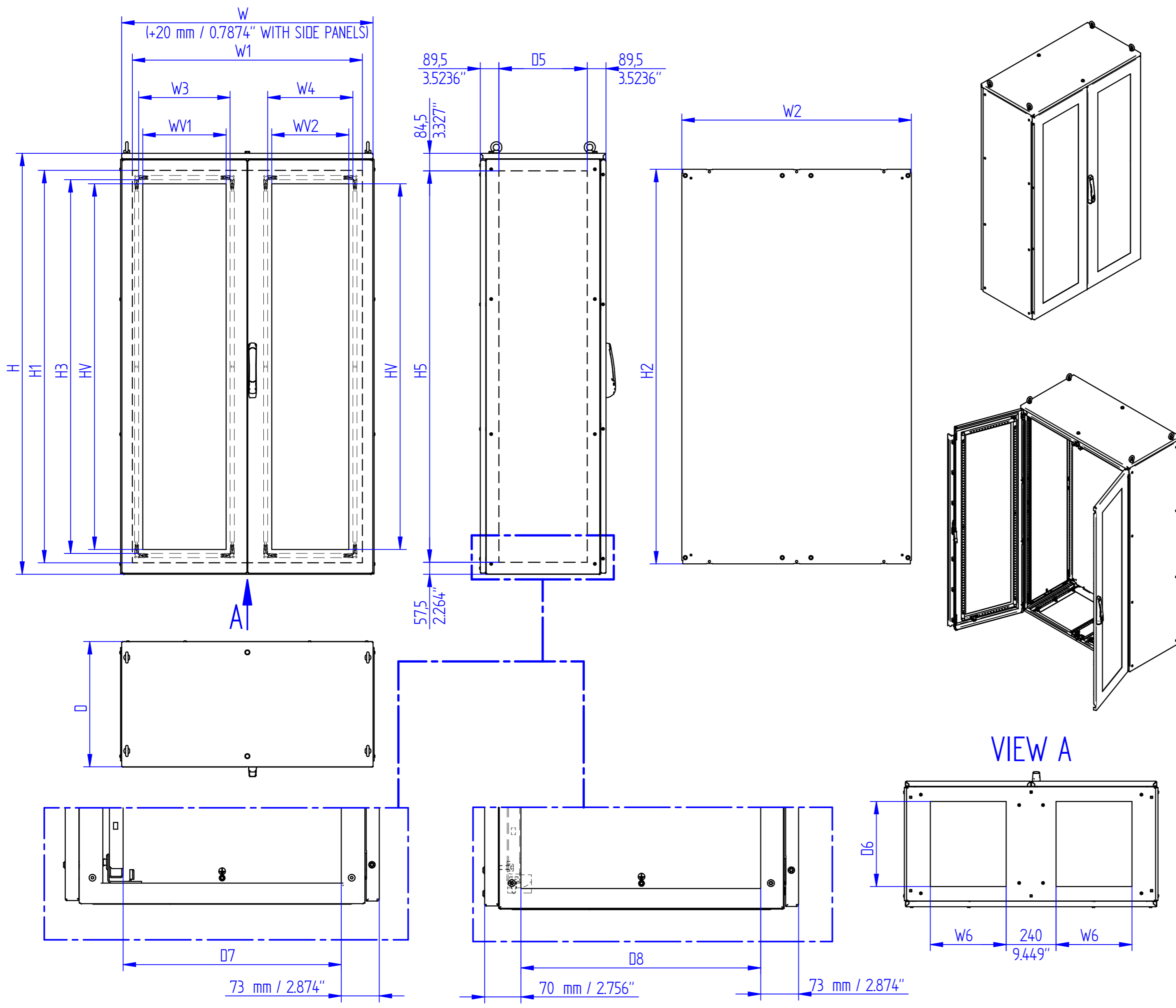
Description		<p><b>GENERAL SCHEME EML CABINETS WITH ONE TRANSPARENT DOOR</b></p>		
<p>Technical Date Sheet Code</p> <p><b>SCTEC.EML.1PT.EN 00</b></p>				

DO NOT ALTER THE DRAWING WITHOUT AUTHORIZATION FROM THE TECHNICAL DEPARTMENT

MEDIUM-GRADE TOLERANCES AS PER STANDARD : ISO2768-m

2 TRANSPARENT DOORS

ITEM CODE	NOMINAL DIMENSIONS			ACTUAL DIMENSIONS			TRANSPARENT DOOR PANEL				USABLE DIMENSIONS OF FRONTAL ENTRY		MOUNTING PLATE		USABLE DIMENSIONS FOR DOOR CUTOUTS			USABLE DIMENSIONS FOR SIDE PANEL CUTOUTS		USABLE DIMENSIONS FOR CABLE ENTRY		FROM SIDE INSERTION PLATE TO UPRIGHT	FROM FRONTAL INSERTION PLATE TO DOOR	
	W	H	D	W	H	D	WW	WW1	WW2	HV	W1	H1	W2	H2	W3	W4	H3	H5	D5	W6	D6	D7	D8	
UNIT	mm / inch	mm / inch	mm / inch	mm / inch	mm / inch	mm / inch	mm / inch	mm / inch	mm / inch	mm / inch	mm / inch	mm / inch	mm / inch	mm / inch	mm / inch	mm / inch	mm / inch	mm / inch	mm / inch	mm / inch	mm / inch	mm / inch	mm / inch	
EML12018050_N	1200 / 47.24	1800 / 70,87	500 / 19,685	1210 / 47.64	1827 / 71.93	503 / 19,803	-	400 / 15,748	370 / 14.567	1560 / 61,42	1109 / 43.66	1700 / 66,93	1105 / 43.5	1700 / 66,93	440 / 17,323	410 / 16,142	1600 / 62,99	1685 / 66,34	325 / 12.795	366 / 14,41	310 / 12,205	320 / 12.598	362 / 14.252	
EML12020060_N	1200 / 47.24	2000 / 78,74	600 / 23,62	1210 / 47.64	2027 / 79.8	603 / 23,74	-	400 / 15,748	370 / 14.567	1760 / 69,29	1109 / 43.66	1900 / 74,8	1105 / 43.5	1900 / 74,8	440 / 17,323	410 / 16,142	1800 / 70,87	1885 / 74,21	425 / 16.732	366 / 14,41	410 / 16,142	420 / 16.535	462 / 18.19	
<b>VERSION WITH CENTRAL PILLAR</b>																								
EML12018050CM_N	1200 / 47.24	1800 / 70,87	500 / 19,685	1210 / 47.64	1827 / 71.93	503 / 19,803	400 / 15,748	-	-	1560 / 61,42	1109 / 43.66	1700 / 66,93	1105 / 43.5	1700 / 66,93	440 / 17,323	-	1600 / 62,99	1685 / 66,34	325 / 12.795	366 / 14,41	310 / 12,205	320 / 12.598	362 / 14.252	
EML12020060CM_N	1200 / 47.24	2000 / 78,74	600 / 23,62	1210 / 47.64	2027 / 79.8	603 / 23,74	400 / 15,748	-	-	1760 / 69,29	1109 / 43.66	1900 / 74,8	1105 / 43.5	1900 / 74,8	440 / 17,323	-	1800 / 70,87	1885 / 74,21	425 / 16.732	366 / 14,41	410 / 16,142	420 / 16.535	462 / 18.19	
EML16018050_N	1600 / 62,99	1800 / 70,87	500 / 19,685	1610 / 63.39	1827 / 71.93	503 / 19,803	600 / 23,62	-	-	1560 / 61,42	1509 / 59.41	1700 / 66,93	1507* / 59.33*	1700 / 66,93	640 / 25,197	-	1600 / 62,99	1685 / 66,34	325 / 12.795	566 / 22,283	310 / 12,205	420 / 16.535	362 / 14.252	
EML16018060_N	1600 / 62,99	1800 / 70,87	600 / 23,62	1610 / 63.39	1827 / 71.93	603 / 23,74	600 / 23,62	-	-	1560 / 61,42	1509 / 59.41	1700 / 66,93	1507* / 59.33*	1700 / 66,93	640 / 25,197	-	1600 / 62,99	1685 / 66,34	425 / 16.732	566 / 22,283	410 / 16,142	420 / 16.535	462 / 18.19	
EML16018080_N	1600 / 62,99	1800 / 70,87	800 / 31,496	1610 / 63.39	1827 / 71.93	803 / 31,614	600 / 23,62	-	-	1560 / 61,42	1509 / 59.41	1700 / 66,93	1507* / 59.33*	1700 / 66,93	640 / 25,197	-	1600 / 62,99	1685 / 66,34	625 / 24.606	566 / 22,283	610 / 24,016	620 / 24.41	662 / 26.063	
EML16020050_N	1600 / 62,99	2000 / 78,74	500 / 19,685	1610 / 63.39	2027 / 79.8	503 / 19,803	600 / 23,62	-	-	1760 / 69,29	1509 / 59.41	1900 / 74,8	1507* / 59.33*	1900 / 74,8	640 / 25,197	-	1800 / 70,87	1885 / 74,21	325 / 12.795	566 / 22,283	310 / 12,205	320 / 12.598	362 / 14.252	
EML16020060_N	1600 / 62,99	2000 / 78,74	600 / 23,62	1610 / 63.39	2027 / 79.8	603 / 23,74	600 / 23,62	-	-	1760 / 69,29	1509 / 59.41	1900 / 74,8	1507* / 59.33*	1900 / 74,8	640 / 25,197	-	1800 / 70,87	1885 / 74,21	425 / 16.732	566 / 22,283	410 / 16,142	420 / 16.535	462 / 18.19	
EML16020080_N	1600 / 62,99	2000 / 78,74	800 / 31,496	1610 / 63.39	2027 / 79.8	803 / 31,614	600 / 23,62	-	-	1760 / 69,29	1509 / 59.41	1900 / 74,8	1507* / 59.33*	1900 / 74,8	640 / 25,197	-	1800 / 70,87	1885 / 74,21	625 / 24.606	566 / 22,283	610 / 24,016	620 / 24.41	662 / 26.063	



Description

**GENERAL SCHEME EML CABINETS WITH TWO TRANSPARENT DOORS**

Technical Date Sheet Code **SCTEC.EML.2PT.EN 00** Issue Date **19/09/2025** SHEET 1 OF 1

MPGAMMA

DO NOT ALTER THE DRAWING WITHOUT AUTHORIZATION FROM THE TECHNICAL DEPARTMENT